

Mincon DTH Tools Product Catalogue



"The Driller's Choice Worldwide"

Mincon.com



Table of Contents

1. INTRODUCTION	5
2. MINCON DTH HAMMERS.....	6
2.1 CHOOSING THE RIGHT DTH HAMMER.....	6
2.2 MC RANGE	7
2.2.1 Mincon MC30 DTH Hammer	7
2.2.2 Mincon MC40 DTH Hammer	8
2.2.3 Mincon MC43 DTH Hammer	9
2.2.4 Mincon MC55 DTH Hammer	10
2.2.5 Mincon MC60 DTH Hammer	11
2.2.6 Mincon MC65 DTH Hammer	12
2.2.7 Mincon MC70 DTH Hammer	13
2.2.8 Mincon MC80 DTH Hammer	14
2.2.9 Mincon MC85 DTH Hammer	15
2.3 MQ RANGE.....	16
2.3.1 Mincon MQ40 DTH Hammer.....	16
2.3.2 Mincon MQ50 DTH Hammer.....	17
2.3.3 Mincon MQ55 DTH Hammer.....	18
2.3.4 Mincon MQ60 DTH Hammer.....	19
2.3.5 Mincon MQ65 DTH Hammer.....	20
2.3.6 Mincon MQ68 DTH Hammer.....	21
2.3.7 Mincon MQ80 DTH Hammer.....	22
2.3.8 Mincon MQ85 DTH Hammer.....	23
2.4 3" RANGE.....	24
2.4.1 Mincon 3 DTH Hammer.....	24
2.4.2 Mincon 3.5 DTH Hammer.....	25
2.4.3 Mincon MP35 DTH Hammer	26
2.5 4" RANGE.....	27
2.5.1 Mincon 4HDS DTH Hammer	27
2.5.2 Mincon 4HR DTH Hammer.....	28
2.5.3 Mincon 4HRSD DTH Hammer.....	29
2.5.4 Mincon 4HRTD DTH Hammer.....	30
2.6 5" RANGE.....	31
2.6.1 Mincon MP50 DTH Hammer	31
2.6.2 Mincon MP55 DTH Hammer	32
2.6.3 Mincon MP55SD DTH Hammer	33
2.6.4 Mincon 5DHQL DTH Hammer.....	34
2.6.5 Mincon 5DH DTH Hammer.....	35
2.6.6 Mincon 55BH DTH Hammer.....	36
2.7 6" RANGE.....	37
2.7.1 Mincon 6DH DTH Hammer.....	37



2.7.2	Mincon 6DH360 DTH Hammer.....	38
2.7.3	Mincon 6DH-LV DTH Hammer.....	39
2.7.4	Mincon 6DHSD DTH Hammer.....	40
2.7.5	Mincon 6BH DTH Hammer.....	41
2.8	8" RANGE.....	42
2.8.1	Mincon 8DH DTH Hammer.....	42
2.8.2	Mincon MP80 DTH Hammer.....	43
2.8.3	Mincon 8DHSD DTH Hammer.....	44
2.8.4	Mincon MP85 DTH Hammer.....	45
2.9	9" RANGE.....	46
2.9.1	Mincon MP90 DTH Hammer.....	46
2.10	12" RANGE.....	47
2.10.1	Mincon XP120SD DTH Hammer.....	47
2.10.2	Mincon XP120QL DTH Hammer.....	48
3.	MINCON HAMMER REBUILD KITS.....	49
3.1	3" REBUILD KITS.....	49
3.2	4" REBUILD KITS.....	49
3.3	5" REBUILD KITS.....	49
3.4	6" REBUILD KITS.....	49
3.5	6" HEAVY DUTY REBUILD KITS.....	50
3.6	7" REBUILD KITS.....	50
3.7	8" REBUILD KITS.....	50
3.8	9" REBUILD KITS.....	50
3.9	12" REBUILD KITS.....	50
4.	MINCON DTH DRILL BITS.....	51
4.1	CHOOSING THE RIGHT DRILL BIT.....	51
4.2	MINCON DRILL BIT PART NUMBER SYSTEM.....	53
4.3	MC RANGE.....	54
4.3.1	MC30 Shank.....	54
4.3.2	MC42 Shank.....	55
4.3.3	MC43 Shank.....	56
4.3.4	MC51 Shank.....	57
4.3.5	MC61 Shank.....	58
4.3.6	MC70 Shank.....	59
4.3.7	MC81 Shank.....	60
4.4	MQ RANGE.....	61
4.4.1	MQ40 Shank.....	61
4.4.2	MQ50 Shank.....	62
4.4.3	MQ60 Shank.....	63
4.4.4	MQ80 Shank.....	64
4.5	QL RANGE.....	65
4.5.1	QL50 Shank.....	65



4.5.2	QL60 Shank.....	66
4.5.3	QL80 Shank.....	67
4.5.4	QL120 Shank.....	68
4.6	DHD RANGE.....	69
4.6.1	DHD3.5 Shank.....	69
4.6.2	DHD4340A Shank.....	70
4.6.3	DHD 350R Shank.....	71
4.6.4	DHD360 Shank.....	72
4.6.5	DHD380 Shank.....	73
4.7	SD RANGE.....	74
4.7.1	SD4 Shank.....	74
4.7.2	SD5 Shank.....	75
4.7.3	SD6 Shank.....	76
4.7.4	SD8 Shank.....	77
4.7.5	SD10 Shank.....	78
4.7.6	SD12 Shank.....	79
4.8	MD RANGE.....	80
4.8.1	MD3.5 Shank.....	80
4.8.2	MD4 Shank.....	81
4.9	TD RANGE.....	82
4.9.1	TD40.....	82
5.	DRILL STRING.....	83
5.1	DTH DRILL STRING.....	84
5.2	DRILL STRING TYPES.....	84
5.3	DRILL PIPE TECHNICAL SPECIFICATIONS.....	87
5.3.1	Tubing.....	87
5.3.2	Tool Joints.....	87
5.4	GET MORE OUT OF YOUR DRILL PIPE.....	87
6.	DRILLING FLUIDS.....	88
6.1	MINCON ENVIROSAFE ROCK DRILL OIL.....	88
6.2	MINCON HOLE CONTROL.....	89
6.3	MINCON ENVIROSAFE FOAMER ES.....	89
7.	SERVICE AND SUPPORT.....	90





1. Introduction

Mincon has been a significant contributor to the drilling industry since its inception in 1977. As a "values" built company our customers and our people are at the forefront of everything we do. The communities that we interact with are important to us and we continually make all efforts to foster close and sustained relationships.

For nearly 40 years Mincon has been producing quality DTH tools and has garnered a strong, reliable reputation along the way. When choosing your DTH tools, there are a multitude of considerations to make to ensure you have the best combination of hammer and drill bit. On top of that, you must protect your investment by ensuring you have the best lubrication program available for your DTH tools. Whether your task is a family water well business, drilling multiple geothermal wells, completing high rise micro pile foundations or major open pit or underground mining operations, Mincon is with you to ensure the work is completed safely, economically and without problem.

The confident contractor demands drilling tools that are reliable, productive, economical and available. Mincon excels at all these metrics and offers the contractor peace of mind for their operations.

It is the intention of this catalogue to offer Mincon's customers a comprehensive look at everything we have to offer in the DTH category.





2. Mincon DTH Hammers

2.1 Choosing the Right DTH Hammer

Mincon has a comprehensive range of DTH hammers that are capable of drilling holes from 85mm (3 3/8") thru 610mm (24"). We manufacture our hammers to accept industry accepted drill bit shanks as well as Mincon designed shanks that increase performance and longevity.

As with any task, it is critical to select the correct tool for the job. When looking at production blast hole drilling the key to productivity is to minimize the amount of time that your drill rig is not drilling. Down time due to failure of tooling can be one of the most expensive costs for drilling operations. In the last number of years the trend with Drill Rig manufacturers is to offer larger compressors with higher CFM and PSI. This increases the productivity of DTH hammers but also increases the potential for component failure while drilling. Mincon produces world class quality DTH hammers that can stand up to the harshest conditions.

It has long been recognized that one of the main components that causes down time due to failure is the foot valve or blow tube as it is also known. The foot valve is a thermoplastic tube in the top of the drill bit that is used to create an air chamber in the bottom of the hammer that is part of the hammer's operating cycle.

It is quite common in blast hole drilling to experience spline wear in the chuck and drill bit, especially in broken ground conditions. The net effect of this wear is to allow lateral movement of the drill bit within the chuck. The piston can then strike the drill bit off axis and break the foot valve. This will then cause the hammer to stop drilling. The hammers chuck or drive sub needs to be opened and the drill bit must be changed or remove the broken piece and install a new foot valve. Heat issues can also change the properties of the thermoplastic material that the foot valves are made from and cause problems where the foot valve can gradually come out of the drill bit.

To eliminate the foot valve from the drill bit while maintaining high productivity Mincon offers the MC Range of DTH hammers. The MC range includes a patented bit retention system that allows for a fully supported bit in the bit chuck. This provides for a much sturdier shank design greatly reducing the possibility of drill bit shanking. With more spline engagement than a traditional DTH bit the amount of spline wear is greatly reduced when compared to other traditional drill bits.

The Mincon MC Range of DTH hammers and Bits are specifically built for applications where high penetration rates are important. This unique design concept provides much greater impact energy and drill performance maximizing productivity in almost all ground conditions.

For those that want increased performance without changing to proprietary shanks Mincon has the MQ range of DTH hammers that eliminates the need for the foot valve while maintaining use of the industry accepted drill bits.

Another benefit that comes from removing the foot valve from the drill bit in the MC and MC Ranges is a more efficient exhausting of the operating air from the hammer. Removing the foot valve allows the hammer to exhaust from the moment the piston strikes the drill bit. This aids in removing the cuttings from the drill bit face quicker and thus increases the penetration rate. This more efficient exhausting of the hammers operating air also helps greatly when drilling in wet holes where ground water is encountered.

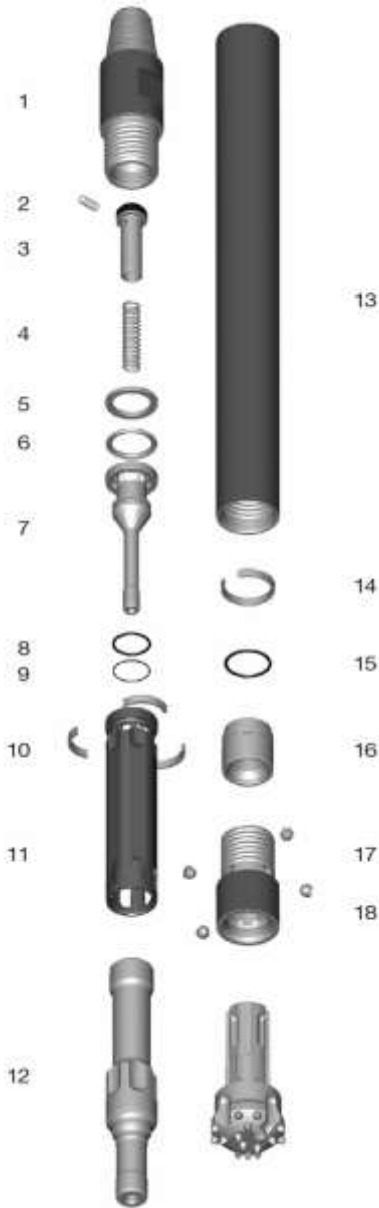
Mincon Also offers our production blast hole hammers with retract backheads that incorporate carbide buttons in the backhead to aid in tool retrieval in the case of hole cave ins. For the extreme cases, Mincon offers the backreaming backhead that provides a more aggressive and positive means of breaking up the rock while retrieving the tool.





2.2 MC Range

2.2.1 Mincon MC30 DTH Hammer

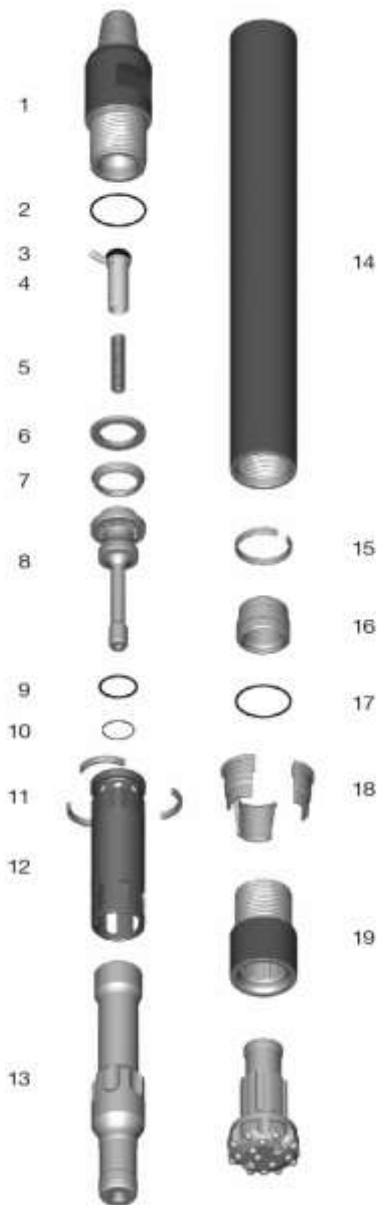


Item #	Part Number	Description
	MS301AS01	Mincon MC30 (2 3/8" A.P.I. Reg. Pin)
1	MS301BH02	Backhead (2 3/8" A.P.I. Reg. Pin)
2	MB506CH01	Choke Blank
3	MB302CV03	Check Valve
4	MB503SP01	Spring
5	MS304SM01	Steel Make-Up Ring
6	MS305LR01	Lock Ring
7	MS307DR02	Air Distributor
8	MB321OR01	O Ring
9	MD422OR01	O Ring
10	MS309SR01	Seating Ring
11	MS308IC02	Inner Cylinder
12	MS310PN02	Piston
13	MS311WS02	Wear Sleeve
14	MS312PR01	Piston Retaining Ring
15	MD421OR01	O Ring
16	MS313BB01	Aligner
17	MS313BR02	Bit Retaining Pins (4 Pcs)
18	MS314CK02	Chuck (MC30)
19	MS326SK01	Service Kit
	MS326SK01	Service Kit
2	MB506CH01	Choke Blank
	MB506CH02	Choke 1/8" (3.2mm)
	MB506CH03	Choke 3/16" (4.8mm)
4	MB503SP01	Spring
	MS325OK01	O Ring Kit
	MS325OK01	O Ring Kit
8	MB321OR01	O Ring
9	MD422OR01	O Ring
15	MD421OR01	O Ring

Specifications	Metric	Imperial
Hammer Outside Diameter	77mm	3.03"
Hammer Length (Less Bit, Backhead Shoulder to Chuck)	865mm	34"
Backhead Spanner Flat Size	64mm	2.5"
Drill Bit Shank Type	MC30	
Minimum Bit Size	85mm	3.35"
Hammer Weight (Less Bit)	22.3Kgs	49Lbs
Drill Bit Weight (92mm/3 5/8")	5.0Kgs	11Lbs
Piston Weight	4.1Kgs	9Lbs
Backhead Stand Off	0.75mm	0.030"
Make up Torque	3050-4050 NM	2250-3000 FT Lbs
Wear Sleeve Reverse Limit	Non Reversible	
Wear Sleeve Discard Limit	72.0mm	2.835"
Recommended Minimum Air Package	47 l/s @ 6.9 Bar	100 cfm @ 100 psi



2.2.2 Mincon MC40 DTH Hammer

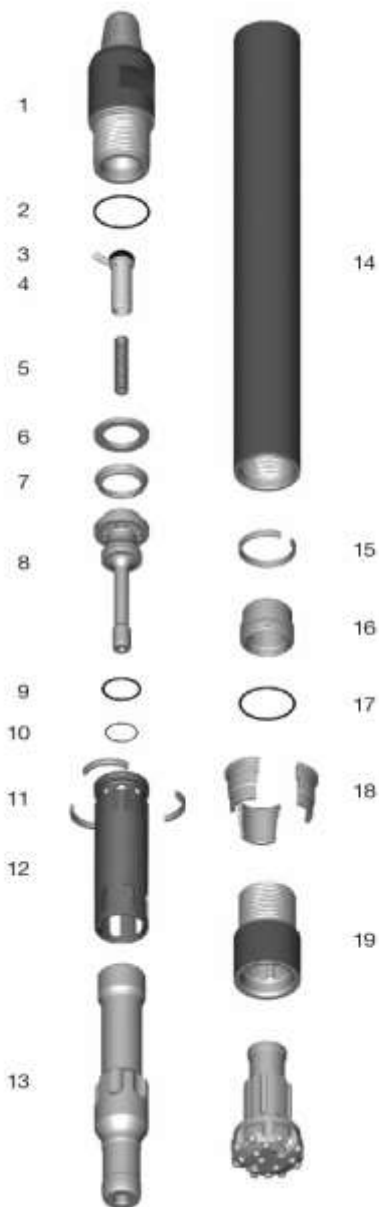


Item #	Part Number	Description
	MD401AS19	Mincon MC40 (2 3/8" A.P.I. Reg. Pin)
1	MD401BH03	Backhead (2 3/8" A.P.I. Reg. Pin)
2	MD424OR01	O Ring
3	MB506CH01	Choke Blank
4	MB502CV01	Check Valve
5	MB503SP01	Spring
6	MD404SM01	Steel Make-Up Ring
7	MD405LR01	Lock Ring
8	MD407DR03	Air Distributor
9	MD421OR01	O Ring
10	MD422OR01	O Ring
11	MD409SR01	Seating Ring
12	MD408IC03	Inner Cylinder
13	MD410PN09	Piston
14	MD411WS04	Wear Sleeve
15	MD412PR01	Piston Retaining Ring
16	MD418BB03	Aligner
17	MD521OR01	O Ring
18	MD413BR13	Bit Retaining Ring
19	MD414CK17	Chuck (MC42)
20	MD426SK03	Service Kit
	MD426SK03	Service Kit
3	MB506CH01	Choke Blank
	MB506CH02	Choke 1/8" (3.2mm)
	MB506CH03	Choke 3/16" (4.8mm)
5	MB503SP01	Spring
	MD425OK03	O Ring Kit
	MD425OK03	O Ring Kit
2	MD424OR01	O Ring
9	MD421OR01	O Ring
10	MD422OR01	O Ring
17	MD521OR01	O Ring

Specifications	Metric	Imperial
Hammer Outside Diameter	97mm	3.82"
Hammer Length (Less Bit, Backhead Shoulder to Chuck)	960mm	37.8"
Backhead Spanner Flat Size	64mm	2.5"
Drill Bit Shank Type		MC42
Minimum Bit Size	110mm	4.33"
Hammer Weight (Less Bit)	38.6Kgs	85Lbs
Drill Bit Weight (120mm/4 3/4")	11.3Kgs	25Lbs
Piston Weight	7.7Kgs	17Lbs
Backhead Stand Off	0.75mm	0.030"
Make up Torque	4050-5425 NM	3000-4000 FT Lbs
Wear Sleeve Reverse Limit		Non Reversible
Wear Sleeve Discard Limit	87mm	3.425"
Recommended Minimum Air Package	118 l/s @ 10.3 Bar	250 cfm @ 150 psi



2.2.3 Mincon MC43 DTH Hammer

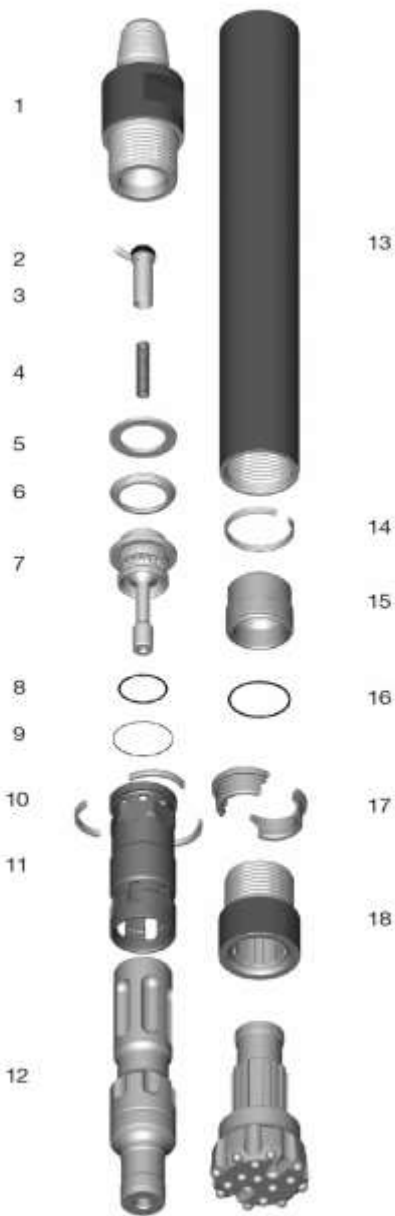


Item #	Part Number	Description
	MD401AS15	Mincon MC43 (2 3/8" A.P.I. Reg. Pin)
1	MD401BH03	Backhead (2 3/8" A.P.I. Reg. Pin)
2	MD424OR01	O Ring
3	MB506CH01	Choke Blank
4	MB502CV01	Check Valve
5	MB503SP01	Spring
6	MD404SM01	Steel Make-Up Ring
7	MD405LR01	Lock Ring
8	MD407DR03	Air Distributor
9	MD421OR01	O Ring
10	MD422OR01	O Ring
11	MD409SR01	Seating Ring
12	MD408IC03	Inner Cylinder
13	MD410PN09	Piston
14	MD411WS04	Wear Sleeve
15	MD412PR01	Piston Retaining Ring
16	MD418BB03	Aligner
17	MD521OR01	O Ring
18	MD413BR13	Bit Retaining Ring
19	MD414CK13	Chuck (MC43)
20	MD426SK03	Service Kit
	MD426SK03	Service Kit
3	MB506CH01	Choke Blank
	MB506CH02	Choke 1/8" (3.2mm)
	MB506CH03	Choke 3/16" (4.8mm)
5	MB503SP01	Spring
	MD425OK03	O Ring Kit
	MD425OK03	O Ring Kit
2	MD424OR01	O Ring
9	MD421OR01	O Ring
10	MD422OR01	O Ring
17	MD521OR01	O Ring

Specifications	Metric	Imperial
Hammer Outside Diameter	97mm	3.82"
Hammer Length (Less Bit, Backhead Shoulder to Chuck)	960mm	37.8"
Backhead Spanner Flat Size	64mm	2.5"
Drill Bit Shank Type	MC43	
Minimum Bit Size	110mm	4.33"
Hammer Weight (Less Bit)	38.6Kgs	85Lbs
Drill Bit Weight (120mm/4 3/4")	11.3Kgs	25Lbs
Piston Weight	7.7Kgs	17Lbs
Backhead Stand Off	0.75mm	0.030"
Make up Torque	4050-5425 NM	3000-4000 FT Lbs
Wear Sleeve Reverse Limit	Non Reversible	
Wear Sleeve Discard Limit	87mm	3.425"
Recommended Minimum Air Package	118 l/s @ 10.3 Bar	250 cfm @ 150 psi



2.2.4 Mincon MC55 DTH Hammer

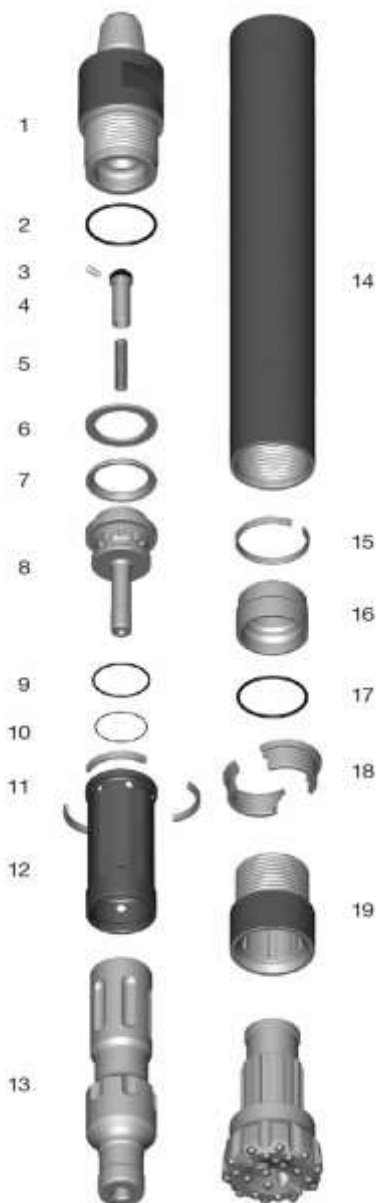


Item #	Part Number	Description
	MBX501AS08	Mincon MC55 (3 1/2" A.P.I. Reg. Pin)
1	MBX501BH02	Backhead (3 1/2" A.P.I. Reg. Pin)
2	MB506CH01	Choke Blank
3	MB502CV01	Check Valve
4	MB503SP01	Spring
5	MB504SM01	Steel Make-Up Ring
6	MB505LR01	Lock Ring
7	MB507DR01	Air Distributor
8	MB521OR01	O Ring
9	MB523OR01	O Ring
10	MB509SR01	Seating Ring
11	MB508IC03	Inner Cylinder
12	MB510PN07	Piston
13	MBX511WS03	Wear Sleeve
14	MB511PR01	Piston Retaining Ring
15	MB517BB05	Aligner
16	MD621OR01	O Ring
17	MB513BR08	Bit Retaining Ring
18	MBX514CK09	Chuck (MC51)
19	MB526SK04	Service Kit
	MB526SK04	Service Kit
2	MB506CH01	Choke Blank
	MB506CH02	Choke 1/8" (3.2mm)
	MB506CH03	Choke 3/16" (4.8mm)
4	MB503SP01	Spring
	MB525OK04	O Ring Kit
	MB525OK04	O Ring Kit
8	MB521OR01	O Ring
9	MB523OR01	O Ring
16	MD621OR01	O Ring

Specifications	Metric	Imperial
Hammer Outside Diameter	124mm	4.88"
Hammer Length (Less Bit, Backhead Shoulder to Chuck)	998mm	39.3"
Backhead Spanner Flat Size	89mm	3.5"
Drill Bit Shank Type	MC51	
Minimum Bit Size	140mm	5.5"
Hammer Weight (Less Bit)	67.3Kgs	148Lbs
Drill Bit Weight (146mm/5 3/4")	17.7Kgs	39Lbs
Piston Weight	15.0Kgs	33.6Lbs
Backhead Stand Off	0.75mm	0.030"
Make up Torque	5085-6780 NM	3750-5000 FT Lbs
Wear Sleeve Reverse Limit	116.1mm	4.570"
Wear Sleeve Discard Limit	111.8mm	4.400"
Recommended Minimum Air Package	283 l/s @ 17.2 Bar	600 cfm @ 250 psi



2.2.5 Mincon MC60 DTH Hammer

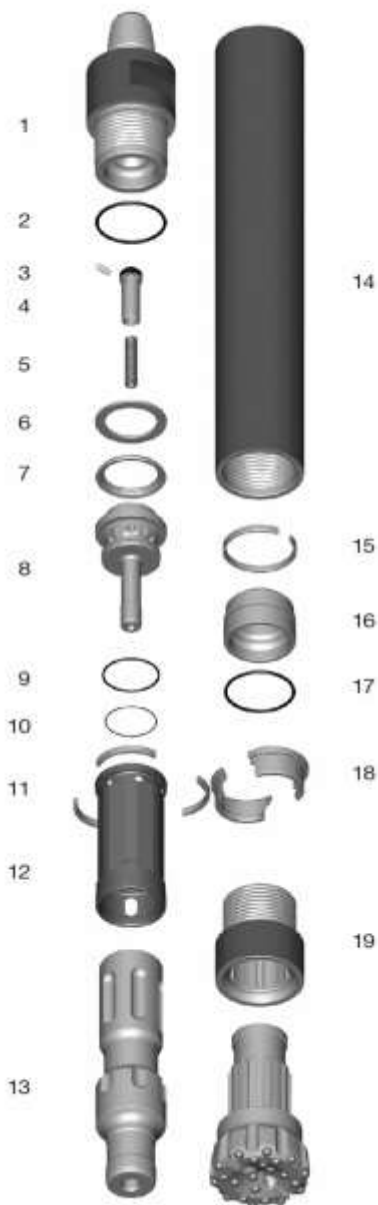


Item #	Part Number	Description
	MD601AS07	Mincon MC60 (3 1/2" A.P.I. Reg. Pin)
1	MD601BH01	Backhead (3 1/2" A.P.I. Reg. Pin)
2	MD622OR01	O Ring
3	MB506CH01	Choke Blank
4	MB502CV01	Check Valve
5	MB503SP01	Spring
6	MD604SM01	Steel Make-Up Ring
7	MD605LR01	Lock Ring
8	MD607DR01	Air Distributor
9	MD621OR01	O Ring
10	MD620OR01	O Ring
11	MD609SR01	Seating Ring
12	MD608IC02	Inner Cylinder
13	MD610PN05	Piston
14	MD611WS01	Wear Sleeve
15	MD612PR01	Piston Retaining Ring
16	MD613BB04	Aligner
17	MD622OR01	O Ring
18	MD614BR05	Bit Retaining Ring
19	MD615CK08	Chuck (MC61)
20	MD626SK02	Service Kit
	MD626SK02	Service Kit
3	MB506CH01	Choke Blank
	MB506CH02	Choke 1/8" (3.2mm)
	MB506CH03	Choke 3/16" (4.8mm)
5	MB503SP01	Spring
	MD625OK02	O Ring Kit
	MD625OK02	O Ring Kit
2	MD622OR01	O Ring
9	MD621OR01	O Ring
10	MD620OR01	O Ring
17	MD622OR01	O Ring

Specifications	Metric	Imperial
Hammer Outside Diameter	140mm	5.5"
Hammer Length (Less Bit, Backhead Shoulder to Chuck)	1045mm	41.1"
Backhead Spanner Flat Size	100mm	4"
Drill Bit Shank Type		MC61
Minimum Bit Size	152mm	6.0"
Hammer Weight (Less Bit)	91.2Kgs	201Lbs
Drill Bit Weight (156mm/6 1/8")	14.5Kgs	44Lbs
Piston Weight	21Kgs	46Lbs
Backhead Stand Off	0.75mm	0.030"
Make up Torque	6100-8135 NM	4500-6000 FT Lbs
Wear Sleeve Reverse Limit	135.0mm	5.310"
Wear Sleeve Discard Limit	128.5mm	5.060"
Recommended Minimum Air Package	283 l/s @ 20.7 Bar	600 cfm @ 300 psi



2.2.6 Mincon MC65 DTH Hammer

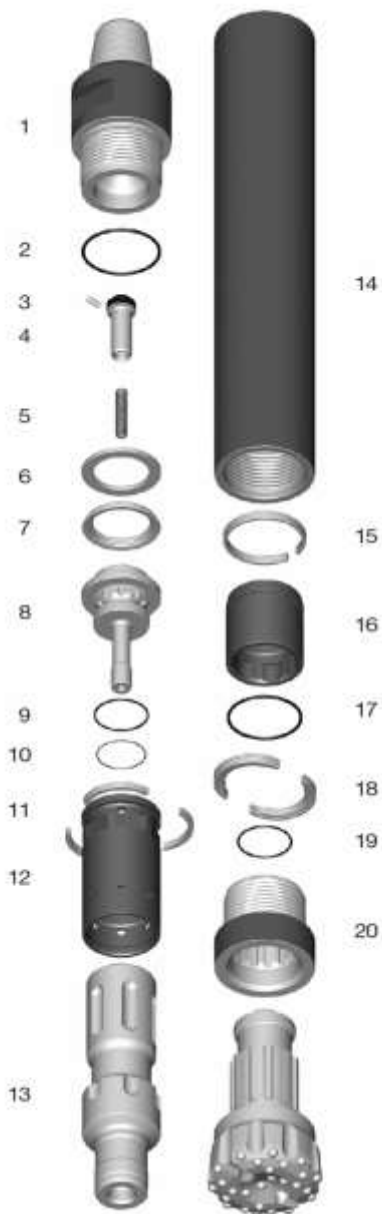


Item #	Part Number	Description
	MB601AS04	Mincon MC65 (3 1/2" A.P.I. Reg. Pin)
1	MB601BH01	Backhead (3 1/2" A.P.I. Reg. Pin)
2	MD622OR01	O Ring
3	MB506CH01	Choke Blank
4	MB502CV01	Check Valve
5	MB503SP01	Spring
6	MD604SM01	Steel Make-Up Ring
7	MD605LR01	Lock Ring
8	MD607DR01	Air Distributor
9	MD621OR01	O Ring
10	MD620OR01	O Ring
11	MD609SR01	Seating Ring
12	MD608IC02	Inner Cylinder
13	MD610PN05	Piston
14	MB611WS01	Wear Sleeve
15	MD612PR01	Piston Retaining Ring
16	MD613BB04	Aligner
17	MD622OR01	O Ring
18	MD614BR05	Bit Retaining Ring
19	MB615CK07	Chuck (MC61)
20	MD626SK02	Service Kit
	MD626SK02	Service Kit
3	MB506CH01	Choke Blank
	MB506CH02	Choke 1/8" (3.2mm)
	MB506CH03	Choke 3/16" (4.8mm)
5	MB503SP01	Spring
	MD625OK02	O Ring Kit
	MD625OK02	O Ring Kit
2	MD622OR01	O Ring
9	MD621OR01	O Ring
10	MD620OR01	O Ring
17	MD622OR01	O Ring

Specifications	Metric	Imperial
Hammer Outside Diameter	146mm	5.75"
Hammer Length (Less Bit, Backhead Shoulder to Chuck)	1045mm	41.1"
Backhead Spanner Flat Size	100mm	4"
Drill Bit Shank Type		MC61
Minimum Bit Size	152mm	6.0"
Hammer Weight (Less Bit)	102.1Kgs	225Lbs
Drill Bit Weight (165mm/6 1/2")	21.3Kgs	47Lbs
Piston Weight	21Kgs	46Lbs
Backhead Stand Off	0.75mm	0.030"
Make up Torque	6100-8135 NM	4500-6000 FT Lbs
Wear Sleeve Reverse Limit	135.0mm	5.310"
Wear Sleeve Discard Limit	128.5mm	5.060"
Recommended Minimum Air Package	283 l/s @ 20.7 Bar	600 cfm @ 300 psi



2.2.7 Mincon MC70 DTH Hammer

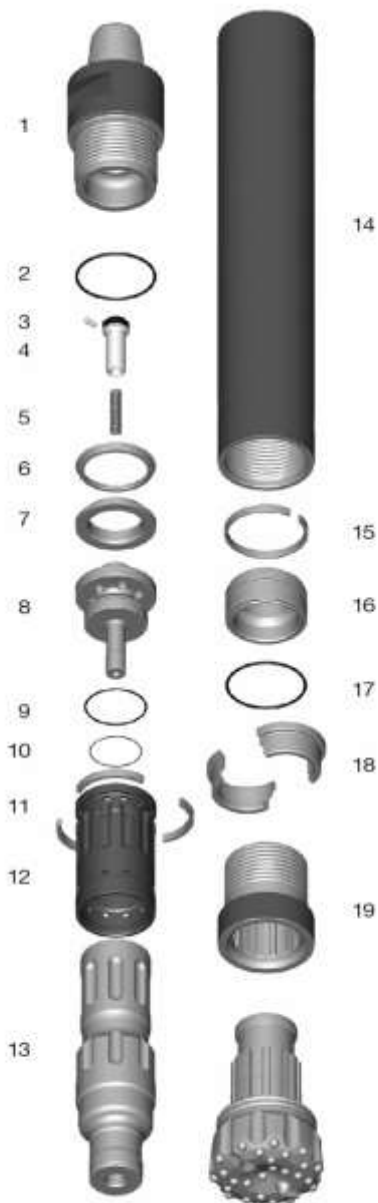


Item #	Part Number	Description
	MD701AS01	Mincon MC70 (4 1/2" A.P.I. Reg. Pin)
1	MD701BH01	Backhead (4 1/2" A.P.I. Reg. Pin)
2	MD722OR01	O Ring
3	MB506CH01	Choke Blank
4	MB502CV01	Check Valve
5	MB503SP01	Spring
6	MD704SM01	Steel Make-Up Ring
7	MD705LR01	Lock Ring
8	MD707DR01	Air Distributor
9	MD621OR01	O Ring
10	MD620OR01	O Ring
11	MD709SR01	Seating Ring
12	MD708IC01	Inner Cylinder
13	MD710PN01	Piston
14	MD711WS01	Wear Sleeve
15	MD712PR01	Piston Retaining Ring
16	MD713BB01	Aligner
17	MD721OR01	O Ring
18	MD714BR01	Bit Retaining Ring
19	MD621OR01	O Ring
20	MD715CK01	Chuck (MC71)
21	MD726SK01	Service Kit
	MD726SK01	Service Kit
3	MB506CH01	Choke Blank
	MB506CH02	Choke 1/8" (3.2mm)
	MB506CH03	Choke 3/16" (4.8mm)
5	MB503SP01	Spring
	MD725OK01	O Ring Kit
	MD725OK01	O Ring Kit
2	MD722OR01	O Ring
9	MD621OR01	O Ring
10	MD620OR01	O Ring
17	MD721OR01	O Ring
19	MD621OR01	O Ring

Specifications	Metric	Imperial
Hammer Outside Diameter	173mm	6.81"
Hammer Length (Less Bit, Backhead Shoulder to Chuck)	1114mm	43.9"
Backhead Spanner Flat Size	140mm	5.5"
Drill Bit Shank Type		MC71
Minimum Bit Size	191mm	7.5"
Hammer Weight (Less Bit)	156.9Kgs	346Lbs
Drill Bit Weight (216mm/8 1/2")	39.5Kgs	87Lbs
Piston Weight	30.3Kgs	67Lbs
Backhead Stand Off	0.75mm	0.030"
Make up Torque	7120-9490 NM	5250-7000 FT Lbs
Wear Sleeve Reverse Limit	Non Reversible	
Wear Sleeve Discard Limit	152mm	5.984"
Recommended Minimum Air Package	425 l/s @ 24.1 Bar	900 cfm @ 350 psi



2.2.8 Mincon MC80 DTH Hammer

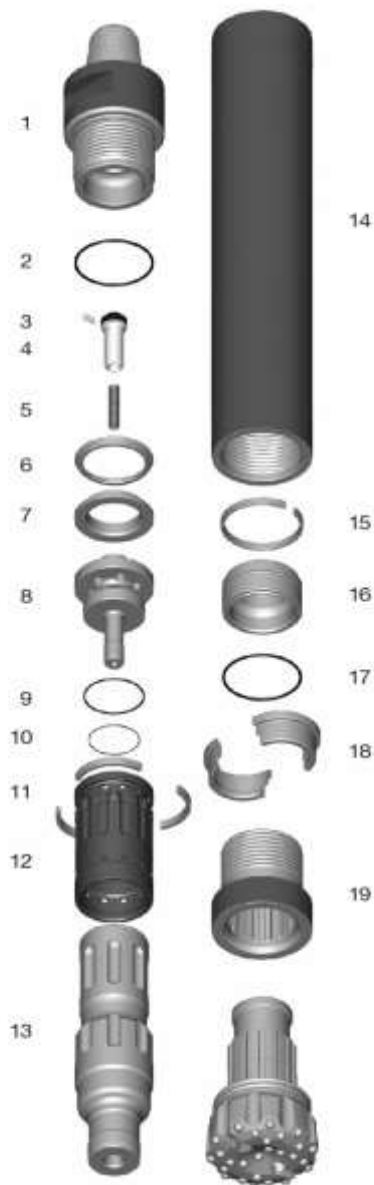


Item #	Part Number	Description
	MD801AS08	Mincon MC80 (4 1/2" A.P.I. Reg. Pin)
1	MD801BH01	Backhead (4 1/2" A.P.I. Reg. Pin)
2	MD822OR01	O Ring
3	MB506CH01	Choke Blank
4	MD802CV01	Check Valve
5	MB503SP01	Spring
6	MD805LR01	Lock Ring
7	MD804SM01	Steel Make-Up Ring
8	MD807DR01	Air Distributor
9	MD821OR01	O Ring
10	MD820OR01	O Ring
11	MD809SR01	Seating Ring
12	MD808IC01	Inner Cylinder
13	MD810PN04	Piston
14	MD811WS01	Wear Sleeve
15	MD812PR01	Piston Retaining Ring
16	MD813BB02	Aligner
17	MD822OR01	O Ring
18	MD814BR05	Bit Retaining Ring
19	MD815CK05	Chuck (MC81)
20	MD826SK04	Service Kit
	MD826SK04	Service Kit
3	MB506CH01	Choke Blank
	MB506CH02	Choke 1/8" (3.2mm)
	MB506CH03	Choke 3/16" (4.8mm)
5	MB503SP01	Spring
	MD825OK04	O Ring Kit
	MD825OK04	O Ring Kit
2	MD822OR01	O Ring
9	MD821OR01	O Ring
10	MD820OR01	O Ring
17	MD822OR01	O Ring

Specifications	Metric	Imperial
Hammer Outside Diameter	181mm	7.15"
Hammer Length (Less Bit, Backhead Shoulder to Chuck)	1171mm	46.1"
Backhead Spanner Flat Size	140mm	5.5"
Drill Bit Shank Type		MC81
Minimum Bit Size	203mm	8.0"
Hammer Weight (Less Bit)	Kgs	Lbs
Drill Bit Weight (216mm/8 1/2")	53.1Kgs	117Lbs
Piston Weight	46.3Kgs	102Lbs
Backhead Stand Off	0.75mm	0.030"
Make up Torque	8135-10850 NM	6000-8000 FT Lbs
Wear Sleeve Reverse Limit	172mm	6.770"
Wear Sleeve Discard Limit	169mm	6.650"
Recommended Minimum Air Package	425 l/s @ 24.1 Bar	900 cfm @ 350 psi



2.2.9 Mincon MC85 DTH Hammer



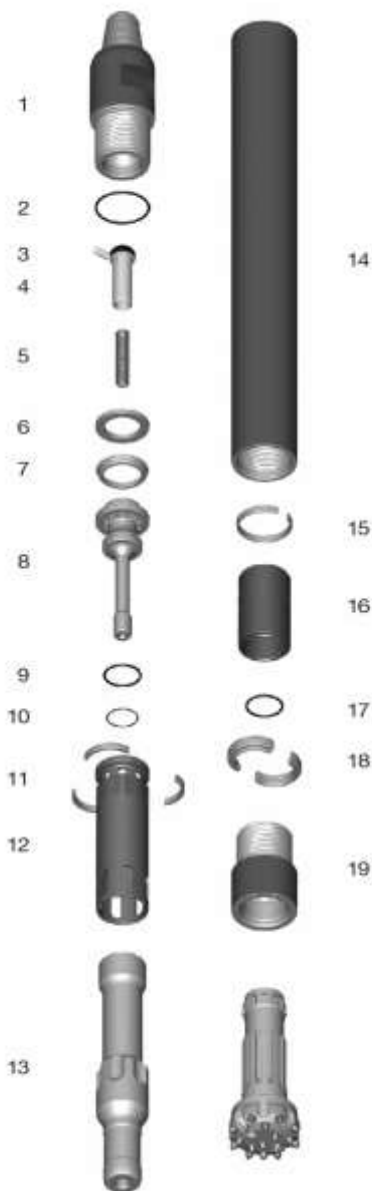
Item #	Part Number	Description
	MD801AS09	Mincon MC85 (4 1/2" A.P.I. Reg. Pin)
1	MD801BH03	Backhead (4 1/2" A.P.I. Reg. Pin)
2	MD822OR01	O Ring
3	MB506CH01	Choke Blank
4	MD802CV01	Check Valve
5	MB503SP01	Spring
6	MD805LR01	Lock Ring
7	MD804SM01	Steel Make-Up Ring
8	MD807DR01	Air Distributor
9	MD821OR01	O Ring
10	MD820OR01	O Ring
11	MD809SR01	Seating Ring
12	MD808IC01	Inner Cylinder
13	MD810PN04	Piston
14	MD811WS03	Wear Sleeve
15	MD812PR01	Piston Retaining Ring
16	MD813BB02	Aligner
17	MD822OR01	O Ring
18	MD814BR05	Bit Retaining Ring
19	MD815CK05	Chuck (MC81)
20	MD826SK04	Service Kit
	MD826SK04	Service Kit
3	MB506CH01	Choke Blank
	MB506CH02	Choke 1/8" (3.2mm)
	MB506CH03	Choke 3/16" (4.8mm)
5	MB503SP01	Spring
	MD825OK04	O Ring Kit
	MD825OK04	O Ring Kit
2	MD822OR01	O Ring
9	MD821OR01	O Ring
10	MD820OR01	O Ring
17	MD822OR01	O Ring

Specifications	Metric	Imperial
Hammer Outside Diameter	193.7mm	7.63"
Hammer Length (Less Bit, Backhead Shoulder to Chuck)	1171mm	46.1"
Backhead Spanner Flat Size	140mm	5.5"
Drill Bit Shank Type		MC81
Minimum Bit Size	216mm	8.5"
Hammer Weight (Less Bit)	184.2Kgs	405Lbs
Drill Bit Weight (216mm/8 1/2")	53.1Kgs	117Lbs
Piston Weight	46.3Kgs	102Lbs
Backhead Stand Off	0.75mm	0.030"
Make up Torque	8135-10850 NM	6000-8000 FT Lbs
Wear Sleeve Reverse Limit	172mm	6.770"
Wear Sleeve Discard Limit	169mm	6.650"
Recommended Minimum Air Package	425 l/s @ 24.1 Bar	900 cfm @ 350 psi



2.3 MQ Range

2.3.1 Mincon MQ40 DTH Hammer

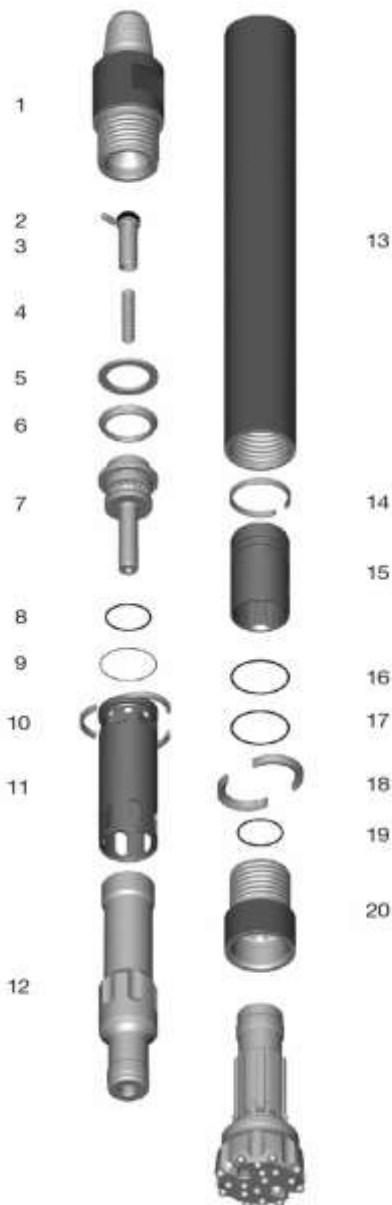


Item #	Part Number	Description
	MD401AS23	Mincon MQ40 (2 3/8" A.P.I. Reg. Pin)
1	MD401BH03	Backhead (2 3/8" A.P.I. Reg. Pin)
2	MD424OR01	O Ring
3	MB506CH01	Choke Blank
4	MB502CV01	Check Valve
5	MB503SP01	Spring
6	MD404SM01	Steel Make-Up Ring
7	MD405LR01	Lock Ring
8	MD407DR03	Air Distributor
9	MD421OR01	O Ring
10	MD422OR01	O Ring
11	MD409SR01	Seating Ring
12	MD408IC03	Inner Cylinder
13	MD410PN09	Piston
14	MD411WS10	Wear Sleeve
15	MD412PR01	Piston Retaining Ring
16	MD418BB10	Aligner
17	MB521OR01	O Ring
18	MD413BR15	Bit Retaining Ring
19	MD414CK16	Chuck (TD40)
	MD426SK03	Service Kit
3	MB506CH01	Choke Blank
	MB506CH02	Choke 1/8" (3.2mm)
	MB506CH03	Choke 3/16" (4.8mm)
5	MB503SP01	Spring
	MD425OK03	O Ring Kit
	MD425OK03	O Ring Kit
2	MD424OR01	O Ring
9	MD421OR01	O Ring
10	MD422OR01	O Ring
17	MB521OR01	O Ring

Specifications	Metric	Imperial
Hammer Outside Diameter	97mm	3.82"
Hammer Length (Less Bit, Backhead Shoulder to Chuck)	1021mm	40.2"
Backhead Spanner Flat Size	64mm	2.5"
Drill Bit Shank Type	MQ40 (TD40 with no Foot Valve)	
Minimum Bit Size	110mm	4.33"
Hammer Weight (Less Bit)	44.5Kgs	98Lbs
Drill Bit Weight (120mm/4 3/4")	11.1Kgs	24.7Lbs
Piston Weight	7.7Kgs	17Lbs
Backhead Stand Off	0.75mm	0.030"
Make up Torque	4050-5425 NM	3000-4000 FT Lbs
Wear Sleeve Reverse Limit	Non Reversible	
Wear Sleeve Discard Limit	87mm	3.425"
Recommended Minimum Air Package	118 l/s @ 10.3 Bar	250 cfm @ 150 psi



2.3.2 Mincon MQ50 DTH Hammer



Item #	Part Number	Description
	MP501AS02	Mincon MQ50 (3 1/2" A.P.I. Reg. Pin)
1	MP501BH01	Backhead (3 1/2" A.P.I. Reg. Pin)
2	MB506CH01	Choke Blank
3	MB502CV01	Check Valve
4	MB503SP01	Spring
5	MP504SM01	Steel Make-Up Ring
6	MP505LR01	Lock Ring
7	MP507DR01	Air Distributor
8	MB521OR01	O Ring
9	MB523OR01	O Ring
10	MP509SR01	Seating Ring
11	MP508IC01	Inner Cylinder
12	MP510PN02	Piston
13	MP511WS02	Wear Sleeve
14	MP512PR01	Piston Retaining Ring
15	MP517BB02	Aligner
16	MD621OR01	O Ring
17	MD621OR01	O Ring
18	MP513BR01	Bit Retaining Ring
19	MB522OR01	O Ring
20	MP514CK01	Chuck (QL50)
21	MB525OK01	O Ring Kit
22	MB526SK05	Service Kit
	MB526SK05	Service Kit
2	MB506CH01	Choke Blank
	MB506CH02	Choke 1/8" (3.2mm)
	MB506CH03	Choke 3/16" (4.8mm)
4	MB503SP01	Spring
	MB525OK05	O Ring Kit
	MB525OK05	O Ring Kit
8	MB521OR01	O Ring
9	MB523OR01	O Ring
16	MD621OR01	O Ring
17	MD621OR01	O Ring
21	MB522OR01	O Ring

Specifications	Metric	Imperial
Hammer Outside Diameter	115mm	4.53"
Hammer Length (Less Bit, Backhead Shoulder to Chuck)	1057mm	41.6"
Backhead Spanner Flat Size	89mm	3.5"
Drill Bit Shank Type	MQ50 (QL50 with no Foot Valve)	
Minimum Bit Size	127mm	5.0"
Hammer Weight (Less Bit)	59.9Kgs	132Lbs
Drill Bit Weight (130mm/5 1/8")	15.9Kgs	35Lbs
Piston Weight	13.7Kgs	30.1Lbs
Backhead Stand Off	0.75mm	0.030"
Make up Torque	5085-6780 NM	3750-5000 FT Lbs
Wear Sleeve Reverse Limit	Non Reversible	
Wear Sleeve Discard Limit	106.0mm	4.173"
Recommended Minimum Air Package	283 l/s @ 17.2 Bar	600 cfm @ 250 psi



2.3.3 Mincon MQ55 DTH Hammer



Item #	Part Number	Description
	MBX501AS12	Mincon MQ55 (3 1/2" A.P.I. Reg. Pin)
1	MBX501BH02	Backhead (3 1/2" A.P.I. Reg. Pin)
2	MB506CH01	Choke Blank
3	MB502CV01	Check Valve
4	MB503SP01	Spring
5	MB504SM01	Steel Make-Up Ring
6	MB505LR01	Lock Ring
7	MB507DR01	Air Distributor
8	MB521OR01	O Ring
9	MB523OR01	O Ring
10	MB509SR01	Seating Ring
11	MB508IC03	Inner Cylinder
12	MB510PN07	Piston
13	MB5X11WS10	Wear Sleeve
14	MB511PR01	Piston Retaining Ring
15	MB517BB10	Aligner
16	MD621OR01	O Ring
17	MB513BR03	Bit Retaining Ring
18	MB522OR01	O Ring
19	MBX514CK04	Chuck (MC51)
20	MB526SK01	Service Kit
	MB526SK01	Service Kit
2	MB506CH01	Choke Blank
	MB506CH02	Choke 1/8" (3.2mm)
	MB506CH03	Choke 3/16" (4.8mm)
4	MB503SP01	Spring
	MB525OK01	O Ring Kit
	MB525OK01	O Ring Kit
8	MB521OR01	O Ring
9	MB523OR01	O Ring
16	MD621OR01	O Ring
18	MB522OR01	O Ring

Specifications	Metric	Imperial
Hammer Outside Diameter	124mm	4.88"
Hammer Length (Less Bit, Backhead Shoulder to Chuck)	1059mm	41.7
Backhead Spanner Flat Size	89mm	3.5"
Drill Bit Shank Type	MQ50 (QL50 with no Foot Valve)	
Minimum Bit Size	140mm	5.5"
Hammer Weight (Less Bit)	67.3Kgs	148Lbs
Drill Bit Weight (146mm/5 3/4")	17.7Kgs	39Lbs
Piston Weight	15.0Kgs	33.6Lbs
Backhead Stand Off	0.75mm	0.030"
Make up Torque	5085-6780 NM	3750-5000 FT Lbs
Wear Sleeve Reverse Limit	Non Reversible	
Wear Sleeve Discard Limit	111.8mm	4.400"
Recommended Minimum Air Package	283 l/s @ 17.2 Bar	600 cfm @ 250 psi



2.3.4 Mincon MQ60 DTH Hammer

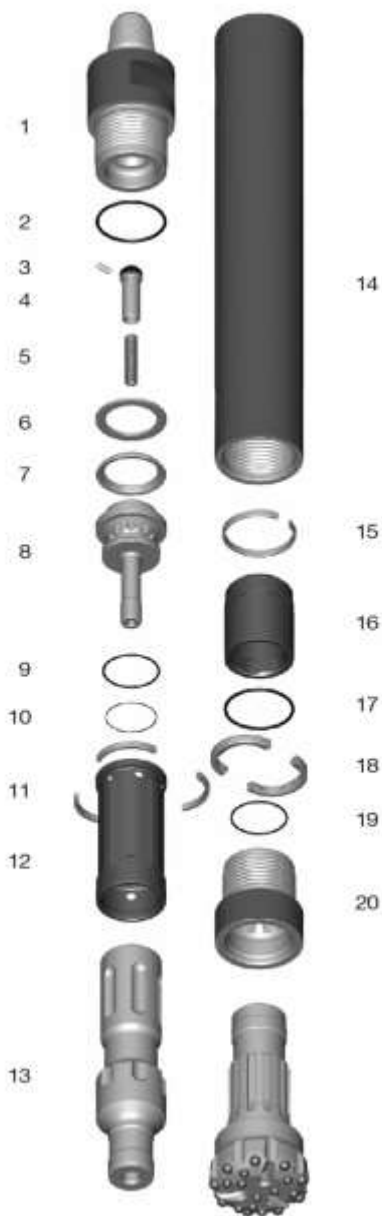


Item #	Part Number	Description
	MD601AS10	Mincon MQ60 (3 1/2" A.P.I. Reg. Pin)
1	MD601BH01	Backhead (3 1/2" A.P.I. Reg. Pin)
2	MD622OR01	O Ring
3	MB506CH01	Choke Blank
4	MB502CV01	Check Valve
5	MB503SP01	Spring
6	MD604SM01	Steel Make-Up Ring
7	MD605LR01	Lock Ring
8	MD607DR01	Air Distributor
9	MD621OR01	O Ring
10	MD620OR01	O Ring
11	MD609SR01	Seating Ring
12	MD608IC02	Inner Cylinder
13	MD610PN05	Piston
14	MD611WS20	Wear Sleeve
15	MD612PR01	Piston Retaining Ring
16	MB613BB10	Aligner
17	MD622OR01	O Ring
18	MD614BR06	Bit Retaining Ring
19	MD621OR01	O Ring
20	MD615CK02	Chuck (QL60)
21	MD626SK01	Service Kit
	MD626SK01	Service Kit
3	MB506CH01	Choke Blank
	MB506CH02	Choke 1/8" (3.2mm)
	MB506CH03	Choke 3/16" (4.8mm)
5	MB503SP01	Spring
	MD625OK01	O Ring Kit
	MD625OK01	O Ring Kit
2	MD622OR01	O Ring
9	MD621OR01	O Ring
10	MD620OR01	O Ring
17	MD622OR01	O Ring
19	MD621OR01	O Ring

Specifications	Metric	Imperial
Hammer Outside Diameter	140mm	5.5"
Hammer Length (Less Bit, Backhead Shoulder to Chuck)	1109mm	43.7"
Backhead Spanner Flat Size	100mm	4"
Drill Bit Shank Type	MQ60 (QL60 with no Foot Valve)	
Minimum Bit Size	152mm	6.0"
Hammer Weight (Less Bit)	95.3Kgs	210Lbs
Drill Bit Weight (156mm/6 1/8")	23.1Kgs	51Lbs
Piston Weight	21Kgs	46Lbs
Backhead Stand Off	0.75mm	0.030"
Make up Torque	6100-8135 NM	4500-6000 FT Lbs
Wear Sleeve Reverse Limit	Non Reversible	
Wear Sleeve Discard Limit	128.5mm	5.060"
Recommended Minimum Air Package	283 l/s @ 20.7 Bar	600 cfm @ 300 psi



2.3.5 Mincon MQ65 DTH Hammer

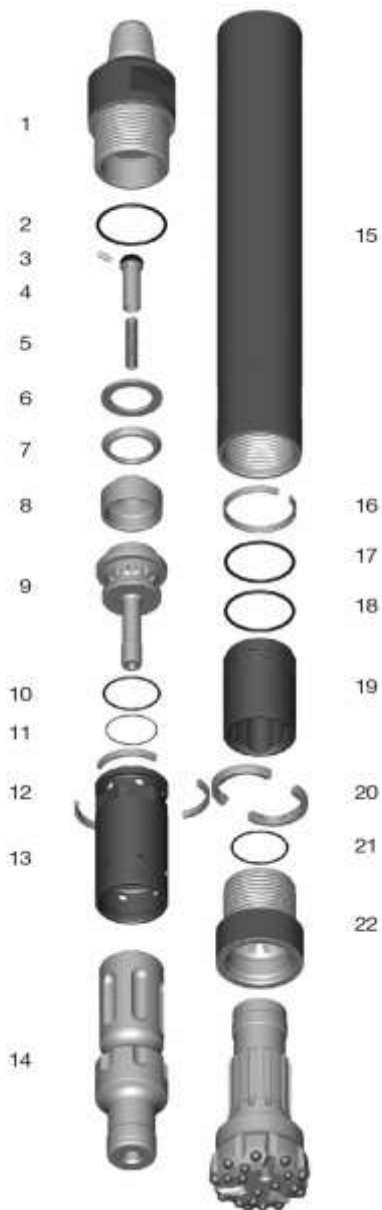


Item #	Part Number	Description
	MB601AS08	Mincon MQ65 (3 1/2" A.P.I. Reg. Pin)
1	MB601BH01	Backhead (3 1/2" A.P.I. Reg. Pin)
2	MD622OR01	O Ring
3	MB506CH01	Choke Blank
4	MB502CV01	Check Valve
5	MB503SP01	Spring
6	MD604SM01	Steel Make-Up Ring
7	MD605LR01	Lock Ring
8	MD607DR01	Air Distributor
9	MD621OR01	O Ring
10	MD620OR01	O Ring
11	MD609SR01	Seating Ring
12	MD608IC02	Inner Cylinder
13	MD610PN05	Piston
14	MB611WS20	Wear Sleeve
15	MD612PR01	Piston Retaining Ring
16	MB613BB10	Aligner
17	MD622OR01	O Ring
18	MD614BR06	Bit Retaining Ring
19	MD621OR01	O Ring
20	MB615CK01	Chuck (QL60)
21	MD626SK01	Service Kit
	MD626SK01	Service Kit
3	MB506CH01	Choke Blank
	MB506CH02	Choke 1/8" (3.2mm)
	MB506CH03	Choke 3/16" (4.8mm)
5	MB503SP01	Spring
	MD625OK01	O Ring Kit
	MD625OK01	O Ring Kit
2	MD622OR01	O Ring
9	MD621OR01	O Ring
10	MD620OR01	O Ring
17	MD622OR01	O Ring
19	MD621OR01	O Ring

Specifications	Metric	Imperial
Hammer Outside Diameter	146mm	5.75"
Hammer Length (Less Bit, Backhead Shoulder to Chuck)	1109mm	43.7"
Backhead Spanner Flat Size	100mm	4"
Drill Bit Shank Type	MQ60 (QL60 with no Foot Valve)	
Minimum Bit Size	152mm	6.0"
Hammer Weight (Less Bit)	95.3Kgs	210Lbs
Drill Bit Weight (165mm/6 1/2")	21.3Kgs	47Lbs
Piston Weight	21Kgs	46Lbs
Backhead Stand Off	0.75mm	0.030"
Make up Torque	6100-8135 NM	4500-6000 FT Lbs
Wear Sleeve Reverse Limit	Non Reversible	
Wear Sleeve Discard Limit	128.5mm	5.060"
Recommended Minimum Air Package	283 l/s @ 20.7 Bar	600 cfm @ 300 psi



2.3.6 Mincon MQ68 DTH Hammer

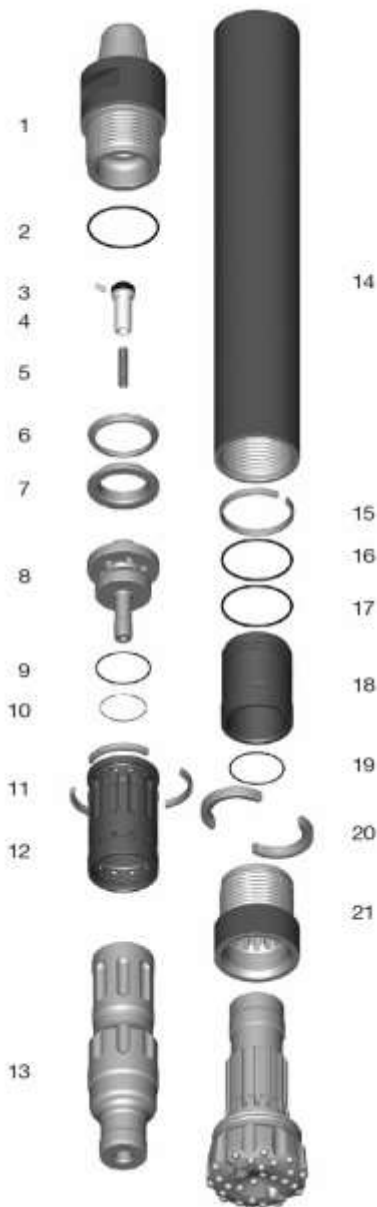


Item #	Part Number	Description
	MC601AS01	Mincon MQ68 (3 1/2" A.P.I. Reg. Pin)
1	MC601BH01	Backhead (3 1/2" A.P.I. Reg. Pin)
2	MD622OR01	O Ring
3	MB506CH01	Choke Blank
4	MB502CV01	Check Valve
5	MB503SP01	Spring
6	MB504SM01	Steel Make-Up Ring
7	MB505LR01	Lock Ring
8	MC603LM01	Lock Ring Mount
9	MD607DR01	Air Distributor
10	MD621OR01	O Ring
11	MD620OR01	O Ring
12	MC609SR01	Seating Ring
13	MC608IC01	Inner Cylinder
14	MC610PN01	Piston
15	MC611WS01	Wear Sleeve
16	MC612PR01	Piston Retaining Ring
17	MD622OR01	O Ring
18	MD622OR01	O Ring
19	MC613BB01	Aligner
20	MC614BR01	Bit Retaining Ring
21	MD621OR01	O Ring
22	MC615CK01	Chuck (QL60)
23	MD626SK04	Service Kit
	MD626SK04	Service Kit
3	MB506CH01	Choke Blank
	MB506CH02	Choke 1/8" (3.2mm)
	MB506CH03	Choke 3/16" (4.8mm)
5	MB503SP01	Spring
	MD625OK04	O Ring Kit
	MD625OK04	O Ring Kit
2	MD622OR01	O Ring
10	MD621OR01	O Ring
11	MD620OR01	O Ring
17	MD622OR01	O Ring
18	MD622OR01	O Ring
21	MD621OR01	O Ring

Specifications	Metric	Imperial
Hammer Outside Diameter	146mm	5.75"
Hammer Length (Less Bit, Backhead Shoulder to Chuck)	1002mm	39.4"
Backhead Spanner Flat Size	100mm	4"
Drill Bit Shank Type	MQ60 (QL60 with no Foot Valve)	
Minimum Bit Size	152mm	6.0"
Hammer Weight (Less Bit)	87.9Kgs	194Lbs
Drill Bit Weight (165mm/6 1/2")	24.5Kgs	54Lbs
Piston Weight	19.3Kgs	42.5Lbs
Backhead Stand Off	0.75mm	0.030"
Make up Torque	6100-8135 NM	4500-6000 FT Lbs
Wear Sleeve Reverse Limit	Non Reversible	
Wear Sleeve Discard Limit	128.5mm	5.060"
Recommended Minimum Air Package	283 l/s @ 20.7 Bar	600 cfm @ 300 psi



2.3.7 Mincon MQ80 DTH Hammer

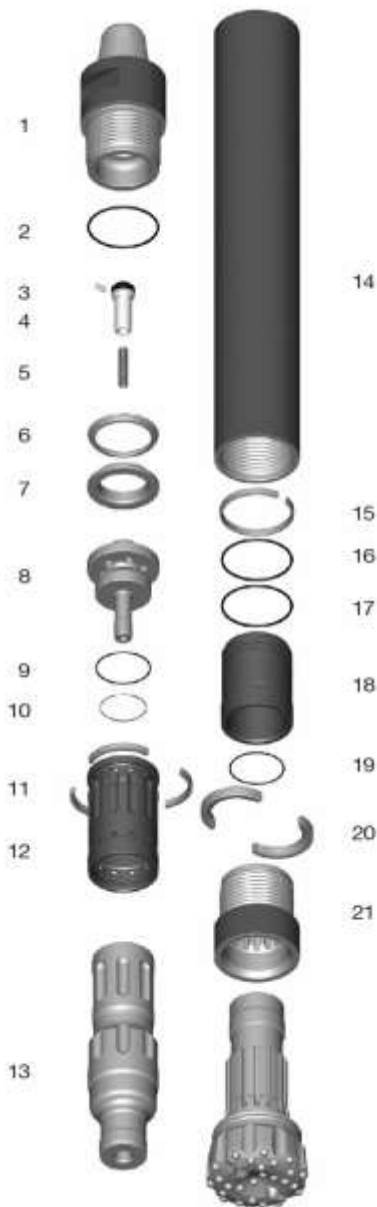


Item #	Part Number	Description
	MD801AS15	Mincon MQ80 (4 1/2" A.P.I. Reg. Pin)
1	MD801BH01	Backhead (4 1/2" A.P.I. Reg. Pin)
2	MD822OR01	O Ring
3	MB506CH01	Choke Blank
4	MD802CV01	Check Valve
5	MB503SP01	Spring
6	MD805LR01	Lock Ring
7	MD804SM01	Steel Make-Up Ring
8	MD807DR01	Air Distributor
9	MD821OR01	O Ring
10	MD820OR01	O Ring
11	MD809SR01	Seating Ring
12	MD808IC01	Inner Cylinder
13	MD810PN04	Piston
14	MD811WS10	Wear Sleeve
15	MD812PR01	Piston Retaining Ring
16	MD822OR01	O Ring
17	MD822OR01	O Ring
18	MD813BB10	Aligner
19	MD814BR06	Bit Retaining Ring
20	MD821OR01	O Ring
21	MD815CK02	Chuck (QL80)
22	MD826SK05	Service Kit
	MD826SK05	Service Kit
3	MB506CH01	Choke Blank
	MB506CH02	Choke 1/8" (3.2mm)
	MB506CH03	Choke 3/16" (4.8mm)
5	MB503SP01	Spring
	MD825OK05	O Ring Kit
	MD825OK05	O Ring Kit
2	MD822OR01	O Ring
9	MD821OR01	O Ring
10	MD820OR01	O Ring
16	MD822OR01	O Ring
17	MD821OR01	O Ring
20	MD821OR01	O Ring

Specifications	Metric	Imperial
Hammer Outside Diameter	181mm	7.15"
Hammer Length (Less Bit, Backhead Shoulder to Chuck)	1306mm	51.4"
Backhead Spanner Flat Size	140mm	5.5"
Drill Bit Shank Type	MQ80 (QL80 with no Foot Valve)	
Minimum Bit Size	203mm	8.0"
Hammer Weight (Less Bit)	184.2Kgs	405Lbs
Drill Bit Weight (216mm/8 1/2")	53.1Kgs	117Lbs
Piston Weight	46.3Kgs	102Lbs
Backhead Stand Off	0.75mm	0.030"
Make up Torque	8135-10850 NM	6000-8000 FT Lbs
Wear Sleeve Reverse Limit	Non Reversible	
Wear Sleeve Discard Limit	169mm	6.650"
Recommended Minimum Air Package	425 l/s @ 24.1 Bar	900 cfm @ 350 psi



2.3.8 Mincon MQ85 DTH Hammer



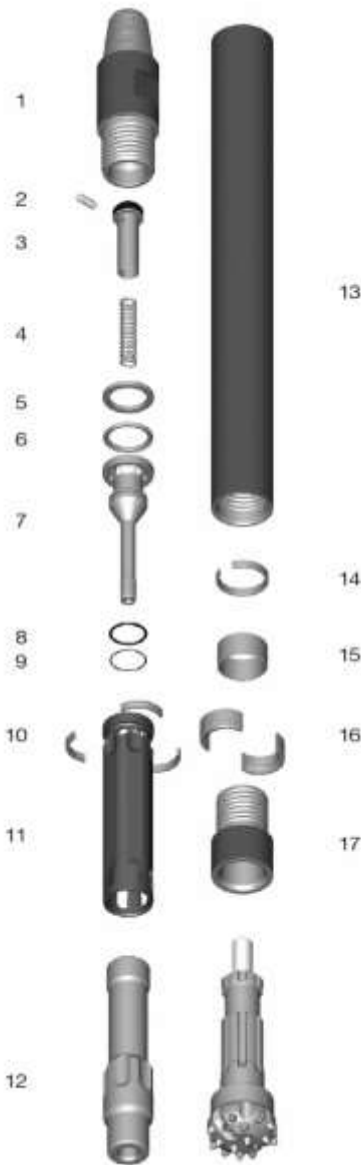
Item #	Part Number	Description
	MD801AS17	Mincon MQ85 (4 1/2" A.P.I. Reg. Pin)
1	MD801BH03	Backhead (4 1/2" A.P.I. Reg. Pin)
2	MD822OR01	O Ring
3	MB506CH01	Choke Blank
4	MD802CV01	Check Valve
5	MB503SP01	Spring
6	MD805LR01	Lock Ring
7	MD804SM01	Steel Make-Up Ring
8	MD807DR01	Air Distributor
9	MD821OR01	O Ring
10	MD820OR01	O Ring
11	MD809SR01	Seating Ring
12	MD808IC01	Inner Cylinder
13	MD810PN04	Piston
14	MD811WS11	Wear Sleeve
15	MD812PR01	Piston Retaining Ring
16	MD822OR01	O Ring
17	MD822OR01	O Ring
18	MD813BB10	Aligner
19	MD821OR01	O Ring
20	MD814BR06	Bit Retaining Ring
21	MD815CK04	Chuck (QL80) HD
22	MD826SK05	Service Kit
	MD826SK05	Service Kit
3	MB506CH01	Choke Blank
	MB506CH02	Choke 1/8" (3.2mm)
	MB506CH03	Choke 3/16" (4.8mm)
5	MB503SP01	Spring
	MD825OK05	O Ring Kit
	MD825OK05	O Ring Kit
2	MD822OR01	O Ring
9	MD821OR01	O Ring
10	MD820OR01	O Ring
16	MD822OR01	O Ring
17	MD821OR01	O Ring
20	MD821OR01	O Ring

Specifications	Metric	Imperial
Hammer Outside Diameter	193.7mm	7.63"
Hammer Length (Less Bit, Backhead Shoulder to Chuck)	1306mm	51.4"
Backhead Spanner Flat Size	140mm	5.5"
Drill Bit Shank Type	MQ80 (QL80 with no Foot Valve)	
Minimum Bit Size	216mm	8.5"
Hammer Weight (Less Bit)	188.6Kgs	415Lbs
Drill Bit Weight (216mm/8 1/2")	53.1Kgs	117Lbs
Piston Weight	46.3Kgs	102Lbs
Backhead Stand Off	0.75mm	0.030"
Make up Torque	8135-10850 NM	6000-8000 FT Lbs
Wear Sleeve Reverse Limit	Non Reversible	
Wear Sleeve Discard Limit	169mm	6.650"
Recommended Minimum Air Package	425 l/s @ 24.1 Bar	900 cfm @ 350 psi



2.4 3" Range

2.4.1 Mincon 3 DTH Hammer



Item #	Part Number	Description
	MS301AS02	Mincon 3 (2 3/8" A.P.I. Reg. Pin)
1	MS301BH02	Backhead (2 3/8" A.P.I. Reg. Pin)
2	MB506CH01	Choke Blank
3	MB302CV03	Check Valve
4	MB503SP01	Spring
5	MS304SM01	Steel Make-Up Ring
6	MS305LR01	Lock Ring
7	MS307DR02	Air Distributor
8	MB321OR01	O Ring
9	MD422OR01	O Ring
10	MS309SR01	Seating Ring
11	MS308IC02	Inner Cylinder
12	MS310PN03	Piston
13	MS311WS02	Wear Sleeve
14	MS312PR01	Piston Retaining Ring
15	MS315BS01	Bit Retaining Spacer
16	MS313BR03	Bit Retaining Ring
17	MS314CK03	Chuck (DHD3.5)
18	MS326SK02	Service Kit
	MS326SK02	Service Kit
2	MB506CH01	Choke Blank
	MB506CH02	Choke 1/8" (3.2mm)
	MB506CH03	Choke 3/16" (4.8mm)
4	MB503SP01	Spring
	MS325OK02	O Ring Kit
	MS325OK02	O Ring Kit
8	MB321OR01	O Ring
9	MD422OR01	O Ring

Specifications	Metric	Imperial
Hammer Outside Diameter	77mm	3.03"
Hammer Length (Less Bit, Backhead Shoulder to Chuck)	865mm	34"
Backhead Spanner Flat Size	64mm	2.5"
Drill Bit Shank Type		DHD 3.5
Minimum Bit Size	85mm	3.35"
Hammer Weight (Less Bit)	22.3Kgs	49Lbs
Drill Bit Weight (92mm/3 5/8")	5.0Kgs	11Lbs
Piston Weight	4.1Kgs	9Lbs
Backhead Stand Off	0.75mm	0.030"
Make up Torque	3050-4050 NM	2250-3000 FT Lbs
Wear Sleeve Reverse Limit		Non Reversible
Wear Sleeve Discard Limit	72.0mm	2.835"
Recommended Minimum Air Package	47 l/s @ 6.9 Bar	100 cfm @ 100 psi



2.4.2 Mincon 3.5 DTH Hammer

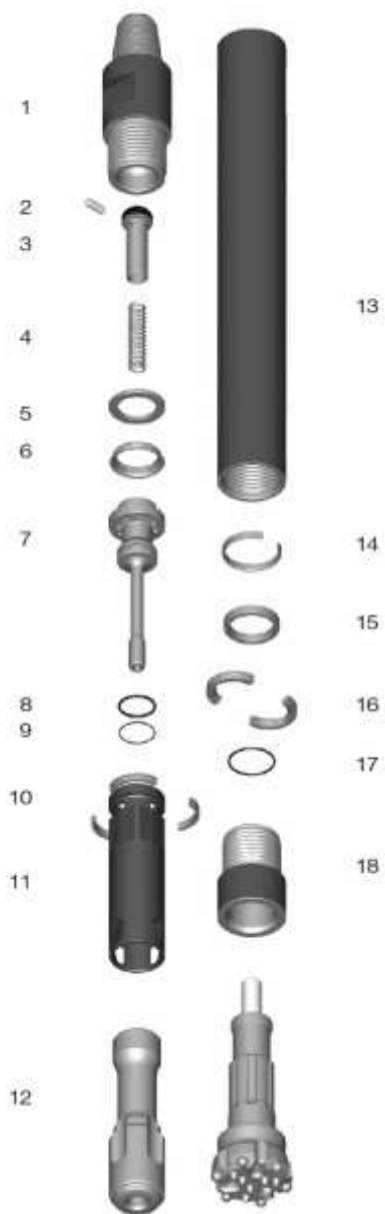


Item #	Part Number	Description
	MB301AS02	Mincon 3.5.5 (2 3/8" A.P.I. Reg. Pin)
1	MB301BH03	Backhead (2 3/8" A.P.I. Reg. Pin)
2	MB506CH01	Choke Blank
3	MB302CV03	Check Valve
4	MB503SP01	Spring
5	MB304SM02	Steel Make-Up Ring
6	MB305LR01	Lock Ring
7	MB307DR01	Air Distributor
8	MB321OR01	O Ring
9	MD422OR01	O Ring
10	MB309SR01	Seating Ring
11	MB308IC02	Inner Cylinder
12	MB310PN01	Piston
13	MB311WS02	Wear Sleeve
14	MB312PR01	Piston Retaining Ring
15	MB317BS01	Bit Retaining Spacer
16	MB313BR03	Bit Retaining Ring
17	MB320OR01	O Ring
18	MB314CK02	Chuck (DHD3.5)
19	MB326SK01	Service Kit
	MB326SK01	Service Kit
2	MB506CH01	Choke Blank
	MB506CH02	Choke 1/8" (3.2mm)
	MB506CH03	Choke 3/16" (4.8mm)
4	MB503SP01	Spring
	MB325OK01	O Ring Kit
	MB325OK01	O Ring Kit
8	MB321OR01	O Ring
9	MD422OR01	O Ring
16	MB320OR01	O Ring

Specifications	Metric	Imperial
Hammer Outside Diameter	85mm	3.35"
Hammer Length (Less Bit, Backhead Shoulder to Chuck)	805mm	31.7"
Backhead Spanner Flat Size	64mm	2.5"
Drill Bit Shank Type	DHD 3.5	
Minimum Bit Size	95mm	3.75"
Hammer Weight (Less Bit)	24.5Kgs	54Lbs
Drill Bit Weight (95mm/3.75")	5.4Kgs	12Lbs
Piston Weight	3.9Kgs	8.7Lbs
Backhead Stand Off	0.75mm	0.030"
Make up Torque	3050-4050 NM	2250-3000 FT Lbs
Wear Sleeve Reverse Limit	Non Reversible	
Wear Sleeve Discard Limit	79.0mm	3.110"
Recommended Minimum Air Package	47 l/s @ 6.9 Bar	100 cfm @ 100 psi



2.4.3 Mincon MP35 DTH Hammer



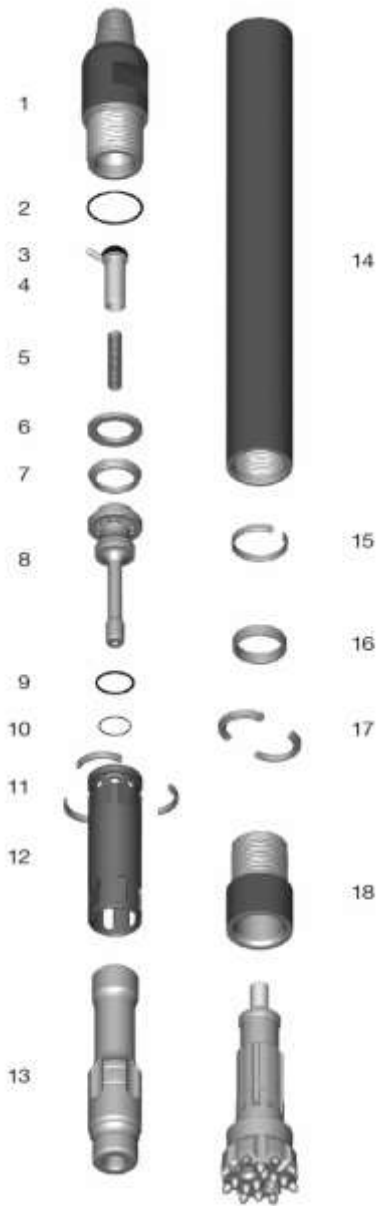
Item #	Part Number	Description
	MB301AS03	Mincon MP35 (2 3/8" A.P.I. Reg. Pin)
1	MB301BH03	Backhead (2 3/8" A.P.I. Reg. Pin)
2	MB506CH01	Choke Blank
3	MB302CV03	Check Valve
4	MB503SP01	Spring
5	MB304SM02	Steel Make-Up Ring
6	MB305LR01	Lock Ring
7	MB307DR01	Air Distributor
8	MB321OR01	O Ring
9	MD422OR01	O Ring
10	MB309SR01	Seating Ring
11	MB308IC02	Inner Cylinder
12	MB310PN01	Piston
13	MB311WS02	Wear Sleeve
14	MB312PR01	Piston Retaining Ring
15	MB317BS01	Bit Retaining Spacer
16	MB313BR02	Bit Retaining Ring
17	MB320OR01	O Ring
18	MB314CK03	Chuck (MD3.5)
19	MB326SK01	Service Kit
	MB326SK01	Service Kit
2	MB506CH01	Choke Blank
	MB506CH02	Choke 1/8" (3.2mm)
	MB506CH03	Choke 3/16" (4.8mm)
4	MB503SP01	Spring
	MB325OK01	O Ring Kit
	MB325OK01	O Ring Kit
8	MB321OR01	O Ring
9	MD422OR01	O Ring
17	MB320OR01	O Ring

Specifications	Metric	Imperial
Hammer Outside Diameter	85mm	3.35"
Hammer Length (Less Bit, Backhead Shoulder to Chuck)	805mm	31.7"
Backhead Spanner Flat Size	64mm	2.5"
Drill Bit Shank Type		MD3.5
Minimum Bit Size	95mm	3.75"
Hammer Weight (Less Bit)	24.5Kgs	54Lbs
Drill Bit Weight (95mm/3.75")	5.4Kgs	12Lbs
Piston Weight	3.9Kgs	8.7Lbs
Backhead Stand Off	0.75mm	0.030"
Make up Torque	3050-4050 NM	2250-3000 FT Lbs
Wear Sleeve Reverse Limit		Non Reversible
Wear Sleeve Discard Limit	79.0mm	3.110"
Recommended Minimum Air Package	47 l/s @ 6.9 Bar	100 cfm @ 100 psi



2.5 4" Range

2.5.1 Mincon 4HDS DTH Hammer

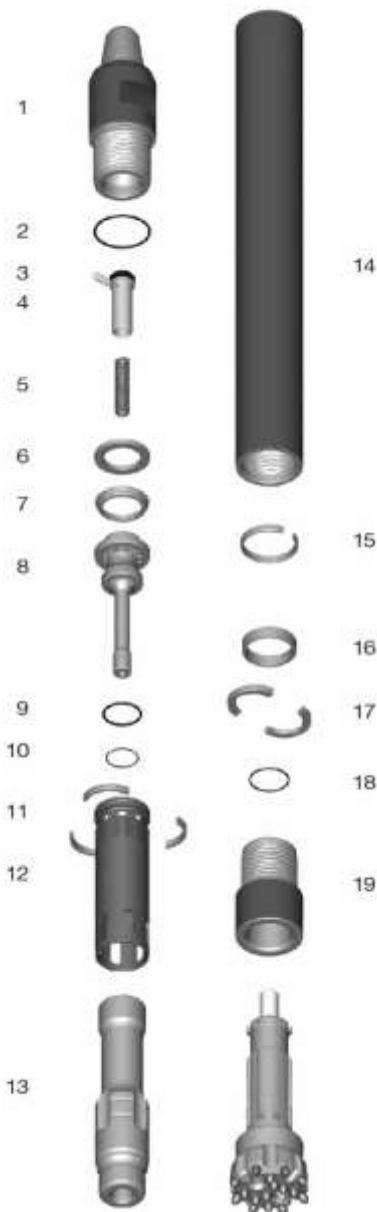


Item #	Part Number	Description
MD401AS04 Mincon 4HDS (2 3/8" A.P.I. Reg. Pin)		
1	MD401BH03	Backhead (2 3/8" A.P.I. Reg. Pin)
2	MD424OR01	O Ring
3	MB506CH01	Choke Blank
4	MB502CV01	Check Valve
5	MB503SP01	Spring
6	MD404SM01	Steel Make-Up Ring
7	MD405LR01	Lock Ring
8	MD407DR03	Air Distributor
9	MD421OR01	O Ring
10	MD422OR01	O Ring
11	MD409SR01	Seating Ring
12	MD408IC02	Inner Cylinder
13	MD410PN03	Piston
14	MD411WS04	Wear Sleeve
15	MD412PR01	Piston Retaining Ring
16	MD416BS01	Bit Retaining Spacer
17	MD413BR04	Bit Retaining Ring
18	MD414CK04	Chuck (MD4)
19	MD426SK02	Service Kit
MD426SK02 Service Kit		
3	MB506CH01	Choke Blank
	MB506CH02	Choke 1/8" (3.2mm)
	MB506CH03	Choke 3/16" (4.8mm)
5	MB503SP01	Spring
	MD425OK02	O Ring Kit
MD425OK02 O Ring Kit		
2	MD424OR01	O Ring
9	MD421OR01	O Ring
10	MD422OR01	O Ring

Specifications	Metric	Imperial
Hammer Outside Diameter	97mm	3.82"
Hammer Length (Less Bit, Backhead Shoulder to Chuck)	956mm	37.6"
Backhead Spanner Flat Size	64mm	2.5"
Drill Bit Shank Type	MD4	
Minimum Bit Size	110mm	4.33"
Hammer Weight (Less Bit)	38.6Kgs	85Lbs
Drill Bit Weight (120mm/4 3/4")	11.3Kgs	25Lbs
Piston Weight	7.7Kgs	17Lbs
Backhead Stand Off	0.75mm	0.030"
Make up Torque	4050-5425 NM	3000-4000 FT Lbs
Wear Sleeve Reverse Limit	Non Reversible	
Wear Sleeve Discard Limit	87mm	3.425"
Recommended Minimum Air Package	118 l/s @ 10.3 Bar	250 cfm @ 150 psi



2.5.2 Mincon 4HR DTH Hammer



Item #	Part Number	Description
	MD401AS05	Mincon 4HR (2 3/8" A.P.I. Reg. Pin)
1	MD401BH03	Backhead (2 3/8" A.P.I. Reg. Pin)
2	MD424OR01	O Ring
3	MB506CH01	Choke Blank
4	MB502CV01	Check Valve
5	MB503SP01	Spring
6	MD404SM01	Steel Make-Up Ring
7	MD405LR01	Lock Ring
8	MD407DR03	Air Distributor
9	MD421OR01	O Ring
10	MD422OR01	O Ring
11	MD409SR01	Seating Ring
12	MD408IC02	Inner Cylinder
13	MD410PN03	Piston
14	MD411WS04	Wear Sleeve
15	MD412PR01	Piston Retaining Ring
16	MD416BS01	Bit Retaining Spacer
17	MD413BR06	Bit Retaining Ring
18	MD420OR01	O Ring
19	MD414CK03	Chuck (DHD340A)
20	MD426SK01	Service Kit
	MD426SK01	Service Kit
3	MB506CH01	Choke Blank
	MB506CH02	Choke 1/8" (3.2mm)
	MB506CH03	Choke 3/16" (4.8mm)
5	MB503SP01	Spring
	MD425OK01	O Ring Kit
	MD425OK01	O Ring Kit
2	MD424OR01	O Ring
9	MD421OR01	O Ring
10	MD422OR01	O Ring
18	MD420OR01	O Ring

Specifications	Metric	Imperial
Hammer Outside Diameter	97mm	3.82"
Hammer Length (Less Bit, Backhead Shoulder to Chuck)	956mm	37.6"
Backhead Spanner Flat Size	64mm	2.5"
Drill Bit Shank Type	DHD340A	
Minimum Bit Size	110mm	4.33"
Hammer Weight (Less Bit)	38.6Kgs	85Lbs
Drill Bit Weight (120mm/4 3/4")	10.9Kgs	24Lbs
Piston Weight	7.7Kgs	17Lbs
Backhead Stand Off	0.75mm	0.030"
Make up Torque	4050-5425 NM	3000-4000 FT Lbs
Wear Sleeve Reverse Limit	Non Reversible	
Wear Sleeve Discard Limit	87mm	3.425"
Recommended Minimum Air Package	118 l/s @ 10.3 Bar	250 cfm @ 150 psi



2.5.3 Mincon 4HRSD DTH Hammer

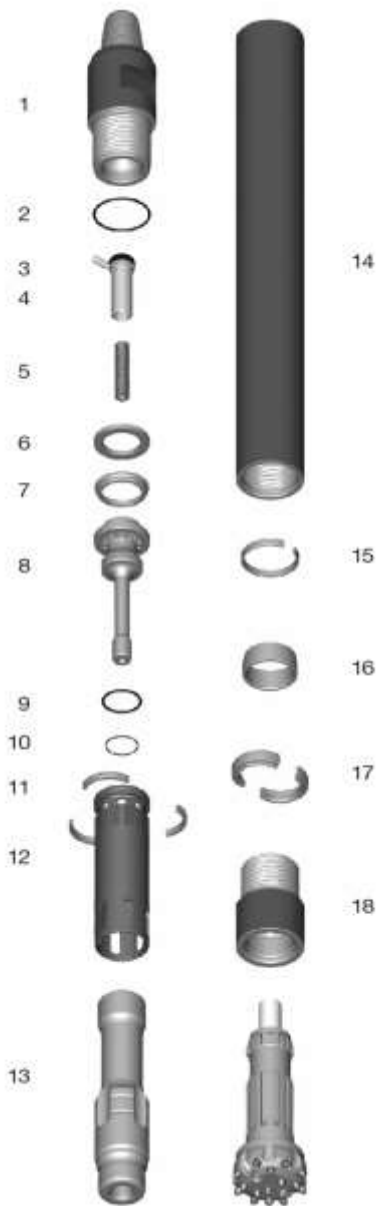


Item #	Part Number	Description
	MD401AS09	Mincon 4HRSD (2 3/8" A.P.I. Reg. Pin)
1	MD401BH03	Backhead (2 3/8" A.P.I. Reg. Box)
2	MD424OR01	O Ring
3	MB506CH01	Choke Blank
4	MB502CV01	Check Valve
5	MB503SP01	Spring
6	MD404SM01	Steel Make-Up Ring
7	MD405LR01	Lock Ring
8	MD407DR03	Air Distributor
9	MD421OR01	O Ring
10	MD422OR01	O Ring
11	MD409SR01	Seating Ring
12	MD408IC02	Inner Cylinder
13	MD410PN05	Piston
14	MD411WS04	Wear Sleeve
15	MD412PR01	Piston Retaining Ring
16	MD413BR07	Bit Retaining Ring
17	MD414CK05	Chuck (DHD340A)
18	MD426SK02	Service Kit
MD426SK02 Service Kit		
3	MB506CH01	Choke Blank
	MB506CH02	Choke 1/8" (3.2mm)
	MB506CH03	Choke 3/16" (4.8mm)
5	MB503SP01	Spring
	MD425OK02	O Ring Kit
MD425OK02 O Ring Kit		
2	MD424OR01	O Ring
9	MD421OR01	O Ring
10	MD422OR01	O Ring

Specifications	Metric	Imperial
Hammer Outside Diameter	97mm	3.82"
Hammer Length (Less Bit, Backhead Shoulder to Chuck)	966mm	38.0"
Backhead Spanner Flat Size	64mm	2.5"
Drill Bit Shank Type		SD4/3415
Minimum Bit Size	110mm	4.33"
Hammer Weight (Less Bit)	38.6Kgs	85Lbs
Drill Bit Weight (120mm/4 3/4")	11.3Kgs	25Lbs
Piston Weight	7.7Kgs	17Lbs
Backhead Stand Off	0.75mm	0.030"
Make up Torque	4050-5425 NM	3000-4000 FT Lbs
Wear Sleeve Reverse Limit		Non Reversible
Wear Sleeve Discard Limit	87mm	3.425"
Recommended Minimum Air Package	118 l/s @ 10.3 Bar	250 cfm @ 150 psi



2.5.4 Mincon 4HRTD DTH Hammer



Item #	Part Number	Description
MD401AS16 Mincon 4HRTD (2 3/8" A.P.I. Reg. Pin)		
1	MD401BH03	Backhead (2 3/8" A.P.I. Reg. Pin)
2	MD424OR01	O Ring
3	MB506CH01	Choke Blank
4	MB502CV01	Check Valve
5	MB503SP01	Spring
6	MD404SM01	Steel Make-Up Ring
7	MD405LR01	Lock Ring
8	MD407DR03	Air Distributor
9	MD421OR01	O Ring
10	MD422OR01	O Ring
11	MD409SR01	Seating Ring
12	MD408IC02	Inner Cylinder
13	MD410PN11	Piston
14	MD411WS04	Wear Sleeve
15	MD412PR02	Piston Retaining Ring
16	MD418BB05	Aligner
17	MD413BR15	Bit Retaining Ring
18	MD414CK16	Chuck (TD40)
19	MD426SK02	Service Kit
MD426SK02 Service Kit		
3	MB506CH01	Choke Blank
	MB506CH02	Choke 1/8" (3.2mm)
	MB506CH03	Choke 3/16" (4.8mm)
5	MB503SP01	Spring
	MD425OK02	O Ring Kit
MD425OK02 O Ring Kit		
2	MD424OR01	O Ring
9	MD421OR01	O Ring
10	MD422OR01	O Ring

Specifications	Metric	Imperial
Hammer Outside Diameter	97mm	3.82"
Hammer Length (Less Bit, Backhead Shoulder to Chuck)	956mm	37.6"
Backhead Spanner Flat Size	64mm	2.5"
Drill Bit Shank Type		TD40
Minimum Bit Size	110mm	4.33"
Hammer Weight (Less Bit)	38.6Kgs	85Lbs
Drill Bit Weight (120mm/4 3/4")	11.1Kgs	24.7Lbs
Piston Weight	7.7Kgs	17Lbs
Backhead Stand Off	0.75mm	0.030"
Make up Torque	4050-5425 NM	3000-4000 FT Lbs
Wear Sleeve Reverse Limit		Non Reversible
Wear Sleeve Discard Limit	87mm	3.425"
Recommended Minimum Air Package	118 l/s @ 10.3 Bar	250 cfm @ 150 psi



2.6 5" Range

2.6.1 Mincon MP50 DTH Hammer

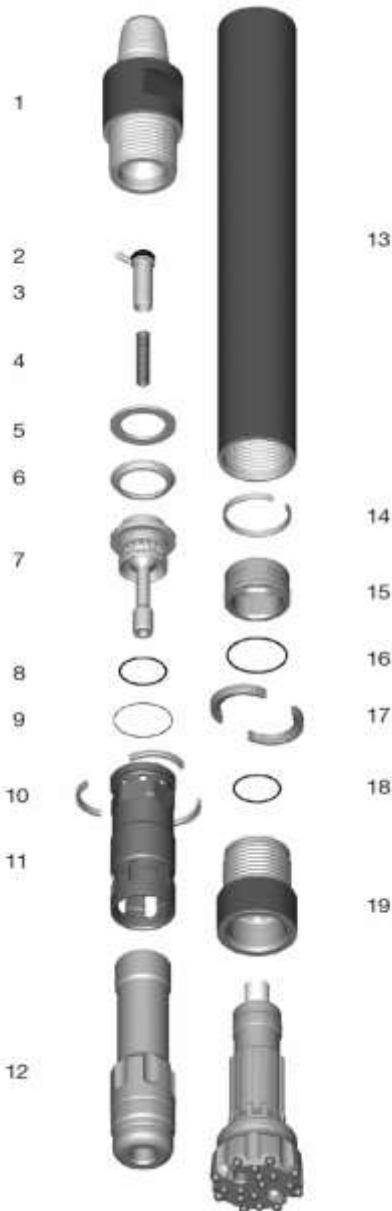


Item #	Part Number	Description
	MP501AS01	Mincon MP50 (3 1/2" A.P.I. Reg. Pin)
1	MP501BH01	Backhead (3 1/2" A.P.I. Reg. Pin)
2	MB506CH01	Choke Blank
3	MB502CV01	Check Valve
4	MB503SP01	Spring
5	MP504SM01	Steel Make-Up Ring
6	MP505LR01	Lock Ring
7	MP507DR01	Air Distributor
8	MB521OR01	O Ring
9	MB523OR01	O Ring
10	MP509SR01	Seating Ring
11	MP508IC01	Inner Cylinder
12	MP510PN01	Piston
13	MP511WS01	Wear Sleeve
14	MP512PR01	Piston Retaining Ring
15	MP517BB01	Aligner
16	MD621OR01	O Ring
17	MP513BR01	Bit Retaining Ring
18	MB522OR01	O Ring
19	MP514CK01	Chuck (QL50)
20	MB526SK01	Service Kit
	MB526SK01	Service Kit
2	MB506CH01	Choke Blank
	MB506CH02	Choke 1/8" (3.2mm)
	MB506CH03	Choke 3/16" (4.8mm)
4	MB503SP01	Spring
	MB525OK01	O Ring Kit
	MB525OK01	O Ring Kit
8	MB521OR01	O Ring
9	MB523OR01	O Ring
16	MD621OR01	O Ring
18	MB522OR01	O Ring

Specifications	Metric	Imperial
Hammer Outside Diameter	115mm	4.53"
Hammer Length (Less Bit, Backhead Shoulder to Chuck)	993mm	39.1"
Backhead Spanner Flat Size	89mm	3.5"
Drill Bit Shank Type		QL50
Minimum Bit Size	127mm	5.0"
Hammer Weight (Less Bit)	57.2Kgs	126Lbs
Drill Bit Weight (130mm/5 1/8")	15.9Kgs	35Lbs
Piston Weight	12.6Kgs	27.7Lbs
Backhead Stand Off	0.75mm	0.030"
Make up Torque	5085-6780 NM	3750-5000 FT Lbs
Wear Sleeve Reverse Limit	Non Reversible	
Wear Sleeve Discard Limit	106.0mm	4.173"
Recommended Minimum Air Package	283 l/s @ 17.2 Bar	600 cfm @ 250 psi



2.6.2 Mincon MP55 DTH Hammer

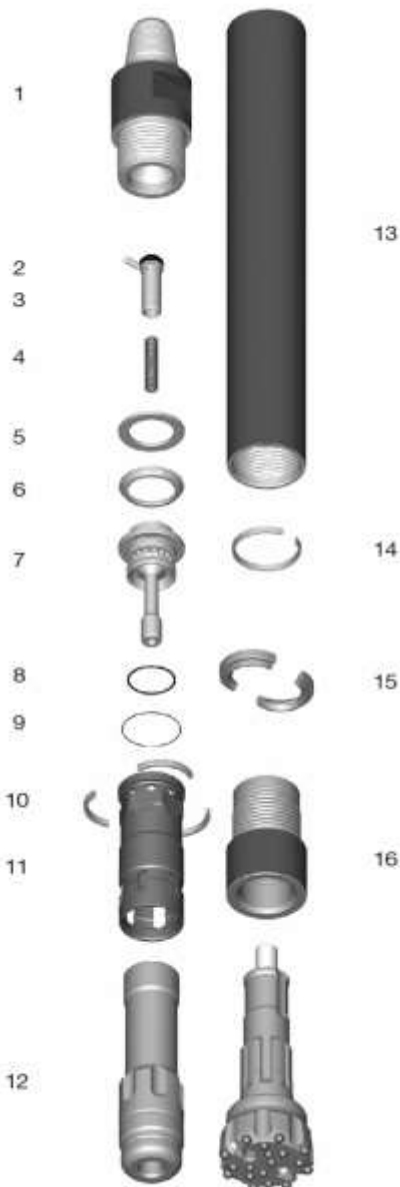


Item #	Part Number	Description
	MBX501AS03	Mincon MP55 (3 1/2" A.P.I. Reg. Pin)
1	MBX501BH02	Backhead (3 1/2" A.P.I. Reg. Pin)
2	MB506CH01	Choke Blank
3	MB502CV01	Check Valve
4	MB503SP01	Spring
5	MB504SM01	Steel Make-Up Ring
6	MB505LR01	Lock Ring
7	MB507DR01	Air Distributor
8	MB521OR01	O Ring
9	MB523OR01	O Ring
10	MB509SR01	Seating Ring
11	MB508IC02	Inner Cylinder
12	MB510PN04	Piston
13	MBX511WS03	Wear Sleeve
14	MB511PR01	Piston Retaining Ring
15	MB517BB01	Aligner
16	MD621OR01	O Ring
17	MB513BR03	Bit Retaining Ring
18	MB522OR01	O Ring
19	MBX514CK04	Chuck (QL50)
20	MB526SK01	Service Kit
	MB526SK01	Service Kit
2	MB506CH01	Choke Blank
	MB506CH02	Choke 1/8" (3.2mm)
	MB506CH03	Choke 3/16" (4.8mm)
4	MB503SP01	Spring
	MB525OK01	O Ring Kit
	MB525OK01	O Ring Kit
8	MB521OR01	O Ring
9	MB523OR01	O Ring
16	MD621OR01	O Ring
18	MB522OR01	O Ring

Specifications	Metric	Imperial
Hammer Outside Diameter	124mm	4.88"
Hammer Length (Less Bit, Backhead Shoulder to Chuck)	993mm	39.1"
Backhead Spanner Flat Size	89mm	3.5"
Drill Bit Shank Type		QL50
Minimum Bit Size	140mm	5.5"
Hammer Weight (Less Bit)	67.3Kgs	148Lbs
Drill Bit Weight (146mm/5 3/4")	17.7Kgs	39Lbs
Piston Weight	15.0Kgs	33.6Lbs
Backhead Stand Off	0.75mm	0.030"
Make up Torque	5085-6780 NM	3750-5000 FT Lbs
Wear Sleeve Reverse Limit	116.1mm	4.570"
Wear Sleeve Discard Limit	111.8mm	4.400"
Recommended Minimum Air Package	283 l/s @ 17.2 Bar	600 cfm @ 250 psi



2.6.3 Mincon MP55SD DTH Hammer



Item #	Part Number	Description
	MBX501AS05	Mincon MP55SD (3 1/2" A.P.I. Reg. Pin)
1	MBX501BH02	Backhead (3 1/2" A.P.I. Reg. Pin)
2	MB506CH01	Choke Blank
3	MB502CV01	Check Valve
4	MB503SP01	Spring
5	MB504SM01	Steel Make-Up Ring
6	MB505LR01	Lock Ring
7	MB507DR01	Air Distributor
8	MB521OR01	O Ring
9	MB523OR01	O Ring
10	MB509SR01	Seating Ring
11	MB508IC02	Inner Cylinder
12	MB510PN05	Piston
13	MBX511WS03	Wear Sleeve
14	MB511PR01	Piston Retaining Ring
15	MB513BR04	Bit Retaining Ring
16	MBX514CK05	Chuck (SD5)
17	MB526SK03	Service Kit
	MB526SK03	Service Kit
2	MB506CH01	Choke Blank
	MB506CH02	Choke 1/8" (3.2mm)
	MB506CH03	Choke 3/16" (4.8mm)
4	MB503SP01	Spring
	MB525OK03	O Ring Kit
	MB525OK03	O Ring Kit
8	MB521OR01	O Ring
9	MB523OR01	O Ring

Specifications	Metric	Imperial
Hammer Outside Diameter	124mm	4.88"
Hammer Length (Less Bit, Backhead Shoulder to Chuck)	1014mm	39.9"
Backhead Spanner Flat Size	89mm	3.5"
Drill Bit Shank Type	SD5/4315	
Minimum Bit Size	140mm	5.5"
Hammer Weight (Less Bit)	67.3Kgs	148Lbs
Drill Bit Weight (146mm/5 3/4")	17.7Kgs	39Lbs
Piston Weight	15.0Kgs	33.6Lbs
Backhead Stand Off	0.75mm	0.030"
Make up Torque	5085-6780 NM	3750-5000 FT Lbs
Wear Sleeve Reverse Limit	116.1mm	4.570"
Wear Sleeve Discard Limit	111.8mm	4.400"
Recommended Minimum Air Package	283 l/s @ 17.2 Bar	600 cfm @ 250 psi



2.6.4 Mincon 5DHQL DTH Hammer



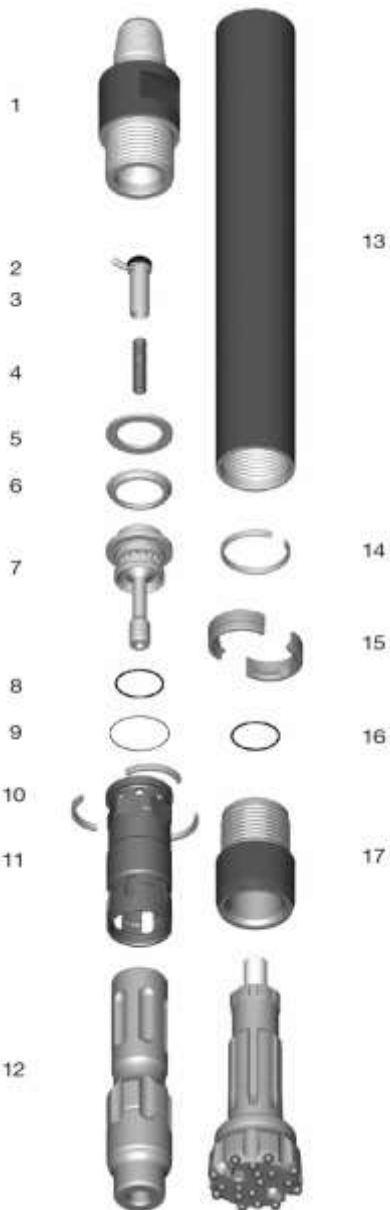
Item #	Part Number	Description
	MDX501AS06	Mincon 5DHQL (3 1/2" A.P.I. Reg. Pin)
1	MDX501BH01	Backhead (3 1/2" A.P.I. Reg. Pin)
2	MB506CH01	Choke Blank
3	MB502CV01	Check Valve
4	MB503SP01	Spring
5	MB504SM01	Steel Make-Up Ring
6	MB505LR01	Lock Ring
7	MB507DR01	Air Distributor
8	MB521OR01	O Ring
9	MB523OR01	O Ring
10	MB509SR01	Seating Ring
11	MD508IC01	Inner Cylinder
12	MD510PN03	Piston
13	MDX511WS03	Wear Sleeve
14	MB511PR01	Piston Retaining Ring
15	MB517BB01	Aligner
16	MD621OR01	O Ring
17	MB513BR03	Bit Retaining Ring
18	MB522OR01	O Ring
19	MDX514CK02	Chuck (QL50)
20	MB526SK01	Service Kit
	MB526SK01	Service Kit
2	MB506CH01	Choke Blank
	MB506CH02	Choke 1/8" (3.2mm)
	MB506CH03	Choke 3/16" (4.8mm)
4	MB503SP01	Spring
	MB525OK01	O Ring Kit
	MB525OK01	O Ring Kit
8	MB521OR01	O Ring
9	MB523OR01	O Ring
16	MD621OR01	O Ring
18	MB522OR01	O Ring

Specifications

	Metric	Imperial
Hammer Outside Diameter	124mm	4.88"
Hammer Length (Less Bit, Backhead Shoulder to Chuck)	1033mm	40.7"
Backhead Spanner Flat Size	89mm	3.5"
Drill Bit Shank Type		QL50
Minimum Bit Size	140mm	5.5"
Hammer Weight (Less Bit)	67.3Kgs	148Lbs
Drill Bit Weight (146mm/5 3/4")	17.7Kgs	39Lbs
Piston Weight	15.0Kgs	33.6Lbs
Backhead Stand Off	0.75mm	0.030"
Make up Torque	5085-6780 NM	3750-5000 FT Lbs
Wear Sleeve Reverse Limit	116.1mm	4.570"
Wear Sleeve Discard Limit	111.8mm	4.400"
Recommended Minimum Air Package	283 l/s @ 17.2 Bar	600 cfm @ 250 psi



2.6.5 Mincon 5DH DTH Hammer

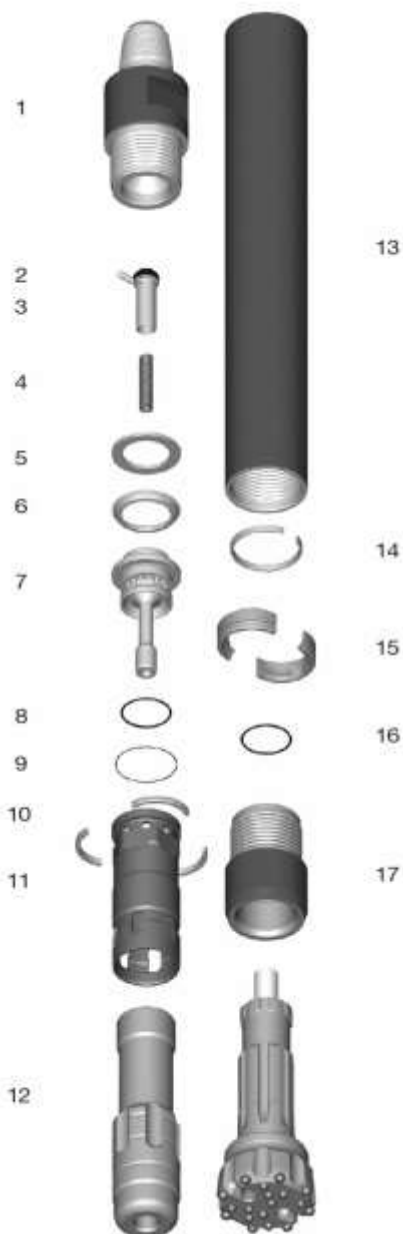


Item #	Part Number	Description
	MDX501AS04	Mincon 5DH (3 1/2" A.P.I. Reg. Pin)
1	MDX501BH01	Backhead (3 1/2" A.P.I. Reg. Pin)
2	MB506CH01	Choke Blank
3	MB502CV01	Check Valve
4	MB503SP01	Spring
5	MB504SM01	Steel Make-Up Ring
6	MB505LR01	Lock Ring
7	MB507DR01	Air Distributor
8	MB521OR01	O Ring
9	MB523OR01	O Ring
10	MB509SR01	Seating Ring
11	MD508IC01	Inner Cylinder
12	MD510PN02	Piston
13	MDX511WS03	Wear Sleeve
14	MB511PR01	Piston Retaining Ring
15	MB513BR01	Bit Retaining Ring
16	MB520OR01	O Ring
17	MDX514CK01	Chuck (DHD350R)
18	MB526SK02	Service Kit
	MB526SK02	Service Kit
2	MB506CH01	Choke Blank
	MB506CH02	Choke 1/8" (3.2mm)
	MB506CH03	Choke 3/16" (4.8mm)
4	MB503SP01	Spring
	MB525OK02	O Ring Kit
	MB525OK02	O Ring Kit
8	MB521OR01	O Ring
9	MB523OR01	O Ring
16	MB520OR01	O Ring

Specifications	Metric	Imperial
Hammer Outside Diameter	124mm	4.88"
Hammer Length (Less Bit, Backhead Shoulder to Chuck)	1054mm	41.5"
Backhead Spanner Flat Size	89mm	3.5"
Drill Bit Shank Type	DHD350R	
Minimum Bit Size	140mm	5.5"
Hammer Weight (Less Bit)	67.3Kgs	148Lbs
Drill Bit Weight (146mm/5 3/4")	17.7Kgs	39Lbs
Piston Weight	15.0Kgs	33.6Lbs
Backhead Stand Off	0.75mm	0.030"
Make up Torque	5085-6780 NM	3750-5000 FT Lbs
Wear Sleeve Reverse Limit	116.1mm	4.570"
Wear Sleeve Discard Limit	111.8mm	4.400"
Recommended Minimum Air Package	283 l/s @ 17.2 Bar	600 cfm @ 250 psi



2.6.6 Mincon 55BH DTH Hammer



Item #	Part Number	Description
	MBX501AS02	Mincon 55BH (3 1/2" A.P.I. Reg. Pin)
1	MBX501BH02	Backhead (3 1/2" A.P.I. Reg. Pin)
2	MB506CH01	Choke Blank
3	MB502CV01	Check Valve
4	MB503SP01	Spring
5	MB504SM01	Steel Make-Up Ring
6	MB505LR01	Lock Ring
7	MB507DR01	Air Distributor
8	MB521OR01	O Ring
9	MB523OR01	O Ring
10	MB509SR01	Seating Ring
11	MB508IC02	Inner Cylinder
12	MB510PN03	Piston
13	MBX511WS03	Wear Sleeve
14	MB511PR01	Piston Retaining Ring
15	MB513BR01	Bit Retaining Ring
16	MB520OR01	O Ring
17	MBX514CK03	Chuck (DHD350R)
18	MB526SK02	Service Kit
	MB526SK02	Service Kit
2	MB506CH01	Choke Blank
	MB506CH02	Choke 1/8" (3.2mm)
	MB506CH03	Choke 3/16" (4.8mm)
4	MB503SP01	Spring
	MB525OK02	O Ring Kit
	MB525OK02	O Ring Kit
8	MB521OR01	O Ring
9	MB523OR01	O Ring
16	MB520OR01	O Ring

Specifications	Metric	Imperial
Hammer Outside Diameter	124mm	4.88"
Hammer Length (Less Bit, Backhead Shoulder to Chuck)	1014mm	39.9"
Backhead Spanner Flat Size	89mm	3.5"
Drill Bit Shank Type	DHD350R	
Minimum Bit Size	140mm	5.5"
Hammer Weight (Less Bit)	67.3Kgs	148Lbs
Drill Bit Weight (146mm/5 3/4")	17.7Kgs	39Lbs
Piston Weight	15.0Kgs	33.6Lbs
Backhead Stand Off	0.75mm	0.030"
Make up Torque	5085-6780 NM	3750-5000 FT Lbs
Wear Sleeve Reverse Limit	116.1mm	4.570"
Wear Sleeve Discard Limit	111.8mm	4.400"
Recommended Minimum Air Package	283 l/s @ 17.2 Bar	600 cfm @ 250 psi



2.7 6" Range

2.7.1 Mincon 6DH DTH Hammer

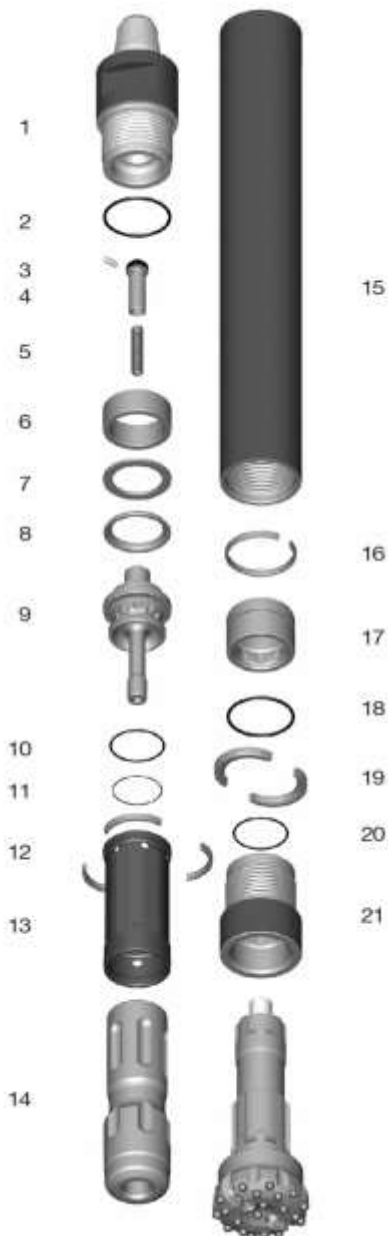


Item #	Part Number	Description
	MD601AS01	Mincon 6DH (3 1/2" A.P.I. Reg. Pin)
1	MD601BH01	Backhead (3 1/2" A.P.I. Reg. Pin)
2	MD622OR01	O Ring
3	MB506CH01	Choke Blank
4	MB502CV01	Check Valve
5	MB503SP01	Spring
6	MD604SM01	Steel Make-Up Ring
7	MD605LR01	Lock Ring
8	MD607DR01	Air Distributor
9	MD621OR01	O Ring
10	MD620OR01	O Ring
11	MD609SR01	Seating Ring
12	MD608IC01	Inner Cylinder
13	MD610PN01	Piston
14	MD611WS01	Wear Sleeve
15	MD612PR01	Piston Retaining Ring
16	MB613BB01	Aligner
17	MD622OR01	O Ring
18	MD614BR01	Bit Retaining Ring
19	MD621OR01	O Ring
20	MD615CK02	Chuck (QL60)
21	MD626SK01	Service Kit
	MD626SK01	Service Kit
3	MB506CH01	Choke Blank
	MB506CH02	Choke 1/8" (3.2mm)
	MB506CH03	Choke 3/16" (4.8mm)
5	MB503SP01	Spring
	MD625OK01	O Ring Kit
	MD625OK01	O Ring Kit
2	MD622OR01	O Ring
9	MD621OR01	O Ring
10	MD620OR01	O Ring
17	MD622OR01	O Ring
19	MD621OR01	O Ring

Specifications	Metric	Imperial
Hammer Outside Diameter	140mm	5.5"
Hammer Length (Less Bit, Backhead Shoulder to Chuck)	1034mm	40.7"
Backhead Spanner Flat Size	100mm	4"
Drill Bit Shank Type		QL60
Minimum Bit Size	152mm	6.0"
Hammer Weight (Less Bit)	95.3Kgs	210Lbs
Drill Bit Weight (156mm/6 1/8")	23.1Kgs	51Lbs
Piston Weight	20Kgs	44Lbs
Backhead Stand Off	0.75mm	0.030"
Make up Torque	6100-8135 NM	4500-6000 FT Lbs
Wear Sleeve Reverse Limit	135.0mm	5.310"
Wear Sleeve Discard Limit	128.5mm	5.060"
Recommended Minimum Air Package	283 l/s @ 20.7 Bar	600 cfm @ 300 psi



2.7.2 Mincon 6DH360 DTH Hammer



Item #	Part Number	Description
	M3601AS01	Mincon 6DH360 (3 1/2" A.P.I. Reg. Pin)
1	MD601BH01	Backhead (3 1/2" A.P.I. Reg. Pin)
2	MD622OR01	O Ring
3	MB506CH01	Choke Blank
4	MB502CV01	Check Valve
5	MB503SP01	Spring
6	M3604SR01	Spacer
7	MD604SM01	Steel Make-Up Ring
8	MD605LR01	Lock Ring
9	M3607DR01	Air Distributor
10	MD621OR01	O Ring
11	MD620OR01	O Ring
12	MD609SR01	Seating Ring
13	MD608IC01	Inner Cylinder
14	M3610PN01	Piston
15	M3611WS01	Wear Sleeve
16	MD612PR01	Piston Retaining Ring
17	M3613BB01	Aligner
18	MD622OR01	O Ring
19	M3614BR01	Bit Retaining Ring
20	MD621OR01	O Ring
21	M3615CK01	Chuck (DHD360)
22	MD626SK01	Service Kit
	MD626SK01	Service Kit
3	MB506CH01	Choke Blank
	MB506CH02	Choke 1/8" (3.2mm)
	MB506CH03	Choke 3/16" (4.8mm)
5	MB503SP01	Spring
	MD625OK01	O Ring Kit
	MD625OK01	O Ring Kit
2	MD622OR01	O Ring
10	MD621OR01	O Ring
11	MD620OR01	O Ring
18	MD622OR01	O Ring
20	MD621OR01	O Ring

Specifications	Metric	Imperial
Hammer Outside Diameter	140mm	5.5"
Hammer Length (Less Bit, Backhead Shoulder to Chuck)	1134mm	44.7"
Backhead Spanner Flat Size	100mm	4"
Drill Bit Shank Type	DHD360	
Minimum Bit Size	152mm	6.0"
Hammer Weight (Less Bit)	95.3Kgs	210Lbs
Drill Bit Weight (156mm/6 1/8")	24.5Kgs	54Lbs
Piston Weight	20Kgs	44Lbs
Backhead Stand Off	0.75mm	0.030"
Make up Torque	6100-8135 NM	4500-6000 FT Lbs
Wear Sleeve Reverse Limit	135.0mm	5.310"
Wear Sleeve Discard Limit	128.5mm	5.060"
Recommended Minimum Air Package	283 l/s @ 20.7 Bar	600 cfm @ 300 psi



2.7.3 Mincon 6DH-LV DTH Hammer



Item #	Part Number	Description
	MD601AS02	Mincon 6DH-LV (3 1/2" A.P.I. Reg. Pin)
1	MD601BH01	Backhead (3 1/2" A.P.I. Reg. Pin)
2	MD622OR01	O Ring
3	MB506CH01	Choke Blank
4	MB502CV01	Check Valve
5	MB503SP01	Spring
6	MD604SM01	Steel Make-Up Ring
7	MD605LR01	Lock Ring
8	MD607DR02	Air Distributor
9	MD621OR01	O Ring
10	MD620OR01	O Ring
11	MD609SR01	Seating Ring
12	MD608IC01	Inner Cylinder
13	MD610PN01	Piston
14	MD611WS01	Wear Sleeve
15	MD612PR01	Piston Retaining Ring
16	MB613BB01	Aligner
17	MD622OR01	O Ring
18	MD614BR01	Bit Retaining Ring
19	MD621OR01	O Ring
20	MD615CK02	Chuck (QL60)
21	MD626SK01	Service Kit
	MD626SK01	Service Kit
3	MB506CH01	Choke Blank
	MB506CH02	Choke 1/8" (3.2mm)
	MB506CH03	Choke 3/16" (4.8mm)
5	MB503SP01	Spring
	MD625OK01	O Ring Kit
	MD625OK01	O Ring Kit
2	MD622OR01	O Ring
9	MD621OR01	O Ring
10	MD620OR01	O Ring
17	MD622OR01	O Ring
19	MD621OR01	O Ring

Specifications	Metric	Imperial
Hammer Outside Diameter	140mm	5.5"
Hammer Length (Less Bit, Backhead Shoulder to Chuck)	1034mm	40.7"
Backhead Spanner Flat Size	100mm	4"
Drill Bit Shank Type		QL60
Minimum Bit Size	152mm	6.0"
Hammer Weight (Less Bit)	95.3Kgs	210Lbs
Drill Bit Weight (156mm/6 1/8")	23.1Kgs	51Lbs
Piston Weight	20Kgs	44Lbs
Backhead Stand Off	0.75mm	0.030"
Make up Torque	6100-8135 NM	4500-6000 FT Lbs
Wear Sleeve Reverse Limit	135.0mm	5.310"
Wear Sleeve Discard Limit	128.5mm	5.060"
Recommended Minimum Air Package	212 l/s @ 17.2 Bar	450 cfm @ 250 psi



2.7.4 Mincon 6DHSD DTH Hammer



Item #	Part Number	Description
	MD601AS06	Mincon 6DHSD (3 1/2" A.P.I. Reg. Pin)
1	MD601BH01	Backhead (3 1/2" A.P.I. Reg. Pin)
2	MD622OR01	O Ring
3	MB506CH01	Choke Blank
4	MB502CV01	Check Valve
5	MB503SP01	Spring
6	MD604SM01	Steel Make-Up Ring
7	MD605LR01	Lock Ring
8	MD607DR01	Air Distributor
9	MD621OR01	O Ring
10	MD620OR01	O Ring
11	MD609SR01	Seating Ring
12	MD608IC01	Inner Cylinder
13	MD610PN03	Piston
14	MD611WS01	Wear Sleeve
15	MD612PR01	Piston Retaining Ring
16	MD614BR02	Bit Retaining Ring
17	MD615CK03	Chuck (SD6)
18	MD626SK03	Service Kit
	MD626SK03	Service Kit
3	MB506CH01	Choke Blank
	MB506CH02	Choke 1/8" (3.2mm)
	MB506CH03	Choke 3/16" (4.8mm)
5	MB503SP01	Spring
	MD625OK03	O Ring Kit
	MD625OK03	O Ring Kit
2	MD622OR01	O Ring
9	MD621OR01	O Ring
10	MD620OR01	O Ring

Specifications	Metric	Imperial
Hammer Outside Diameter	140mm	5.5"
Hammer Length (Less Bit, Backhead Shoulder to Chuck)	1085mm	42.7"
Backhead Spanner Flat Size	100mm	4"
Drill Bit Shank Type	SD6/5315	
Minimum Bit Size	152mm	6.0"
Hammer Weight (Less Bit)	95.3Kgs	210Lbs
Drill Bit Weight (156mm/6 1/8")	27.2Kgs	60Lbs
Piston Weight	20Kgs	44Lbs
Backhead Stand Off	0.75mm	0.030"
Make up Torque	6100-8135 NM	4500-6000 FT Lbs
Wear Sleeve Reverse Limit	135.0mm	5.310"
Wear Sleeve Discard Limit	128.5mm	5.060"
Recommended Minimum Air Package	283 l/s @ 20.7 Bar	600 cfm @ 300 psi



2.7.5 Mincon 6BH DTH Hammer



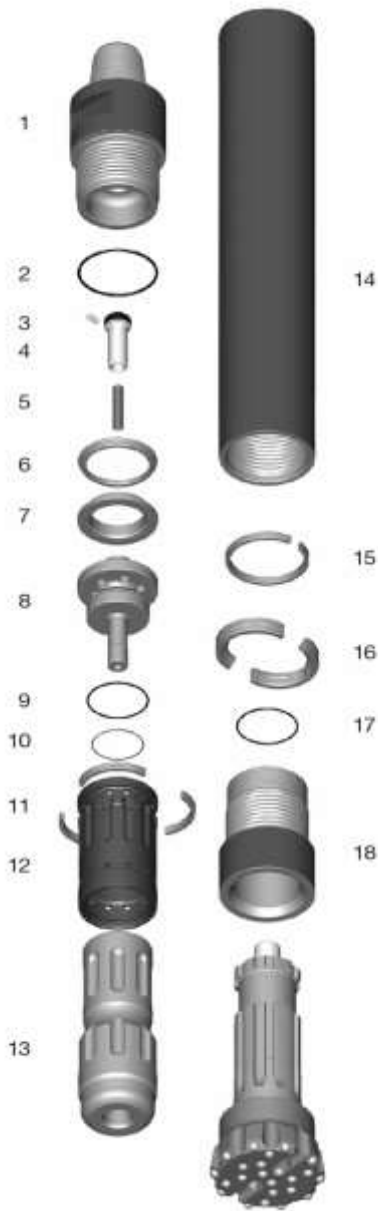
Item #	Part Number	Description
	MB601AS01	Mincon 6BH (3 1/2" A.P.I. Reg. Pin)
1	MB601BH01	Backhead (3 1/2" A.P.I. Reg. Pin)
2	MD622OR01	O Ring
3	MB506CH01	Choke Blank
4	MB502CV01	Check Valve
5	MB503SP01	Spring
6	MD604SM01	Steel Make-Up Ring
7	MD605LR01	Lock Ring
8	MD607DR01	Air Distributor
9	MD621OR01	O Ring
10	MD620OR01	O Ring
11	MD609SR01	Seating Ring
12	MD608IC01	Inner Cylinder
13	MD610PN01	Piston
14	MB611WS01	Wear Sleeve
15	MD612PR01	Piston Retaining Ring
16	MB613BB01	Aligner
17	MD622OR01	O Ring
18	MD614BR01	Bit Retaining Ring
19	MD621OR01	O Ring
20	MB615CK01	Chuck (QL60)
21	MD626SK01	Service Kit
	MD626SK01	Service Kit
3	MB506CH01	Choke Blank
	MB506CH02	Choke 1/8" (3.2mm)
	MB506CH03	Choke 3/16" (4.8mm)
5	MB503SP01	Spring
	MD625OK01	O Ring Kit
	MD625OK01	O Ring Kit
2	MD622OR01	O Ring
9	MD621OR01	O Ring
10	MD620OR01	O Ring
17	MD622OR01	O Ring
19	MD621OR01	O Ring

Specifications	Metric	Imperial
Hammer Outside Diameter	146mm	5.75"
Hammer Length (Less Bit, Backhead Shoulder to Chuck)	1034mm	40.7"
Backhead Spanner Flat Size	100mm	4"
Drill Bit Shank Type		QL60
Minimum Bit Size	165mm	6.5"
Hammer Weight (Less Bit)	98.0Kgs	216Lbs
Drill Bit Weight (165mm/6 1/2")	24.5Kgs	54Lbs
Piston Weight	20Kgs	44Lbs
Backhead Stand Off	0.75mm	0.030"
Make up Torque	6100-8135 NM	4500-6000 FT Lbs
Wear Sleeve Reverse Limit	135.0mm	5.310"
Wear Sleeve Discard Limit	128.5mm	5.060"
Recommended Minimum Air Package	283 l/s @ 20.7 Bar	600 cfm @ 300 psi



2.8 8" Range

2.8.1 Mincon 8DH DTH Hammer



Item #	Part Number	Description
MD801AS01 Mincon 8DH (4 1/2" A.P.I. Reg. Pin)		
1	MD801BH01	Backhead (4 1/2" A.P.I. Reg. Pin)
2	MD822OR01	O Ring
3	MB506CH01	Choke Blank
4	MD802CV01	Check Valve
5	MB503SP01	Spring
6	MD805LR01	Lock Ring
7	MD804SM01	Steel Make-Up Ring
8	MD807DR01	Air Distributor
9	MD821OR01	O Ring
10	MD820OR01	O Ring
11	MD809SR01	Seating Ring
12	MD808IC01	Inner Cylinder
13	MD810PN01	Piston
14	MD811WS01	Wear Sleeve
15	MD812PR01	Piston Retaining Ring
16	MD814BR01	Bit Retaining Ring
17	MD821OR01	O Ring
18	MD815CK01	Chuck (DHD380)
19	MD826SK01	Service Kit
MD826SK01 Service Kit		
3	MB506CH01	Choke Blank
	MB506CH02	Choke 1/8" (3.2mm)
	MB506CH03	Choke 3/16" (4.8mm)
5	MB503SP01	Spring
	MD825OK01	O Ring Kit
MD825OK01 O Ring Kit		
2	MD822OR01	O Ring
9	MD821OR01	O Ring
10	MD820OR01	O Ring
17	MD821OR01	O Ring

Specifications	Metric	Imperial
Hammer Outside Diameter	181mm	7.15"
Hammer Length (Less Bit, Backhead Shoulder to Chuck)	1186mm	46.7"
Backhead Spanner Flat Size	140mm	5.5"
Drill Bit Shank Type	DHD380	
Minimum Bit Size	203mm	8.0"
Hammer Weight (Less Bit)	173.2Kgs	381Lbs
Drill Bit Weight (216mm/8 1/2")	52.2Kgs	115Lbs
Piston Weight	39Kgs	86Lbs
Backhead Stand Off	0.75mm	0.030"
Make up Torque	8135-10850 NM	6000-8000 FT Lbs
Wear Sleeve Reverse Limit	172mm	6.770"
Wear Sleeve Discard Limit	169mm	6.650"
Recommended Minimum Air Package	425 l/s @ 24.1 Bar	900 cfm @ 350 psi



2.8.2 Mincon MP80 DTH Hammer



Item #	Part Number	Description
	MD801AS02	Mincon MP80 (4 1/2" A.P.I. Reg. Pin)
1	MD801BH01	Backhead (4 1/2" A.P.I. Reg. Pin)
2	MD822OR01	O Ring
3	MB506CH01	Choke Blank
4	MD802CV01	Check Valve
5	MB503SP01	Spring
6	MD805LR01	Lock Ring
7	MD804SM01	Steel Make-Up Ring
8	MD807DR01	Air Distributor
9	MD821OR01	O Ring
10	MD820OR01	O Ring
11	MD809SR01	Seating Ring
12	MD808IC01	Inner Cylinder
13	MD810PN02	Piston
14	MD811WS01	Wear Sleeve
15	MD812PR01	Piston Retaining Ring
16	MD813BB01	Aligner
17	MD822OR01	O Ring
18	MD814BR02	Bit Retaining Ring
19	MD821OR01	O Ring
20	MD815CK02	Chuck (QL80)
21	MD826SK02	Service Kit
	MD826SK02	Service Kit
3	MB506CH01	Choke Blank
	MB506CH02	Choke 1/8" (3.2mm)
	MB506CH03	Choke 3/16" (4.8mm)
5	MB503SP01	Spring
	MD825OK02	O Ring Kit
	MD825OK02	O Ring Kit
2	MD822OR01	O Ring
9	MD821OR01	O Ring
10	MD820OR01	O Ring
17	MD822OR01	O Ring
19	MD821OR01	O Ring

Specifications	Metric	Imperial
Hammer Outside Diameter	181mm	7.15"
Hammer Length (Less Bit, Backhead Shoulder to Chuck)	1186mm	46.7"
Backhead Spanner Flat Size	140mm	5.5"
Drill Bit Shank Type		QL80
Minimum Bit Size	203mm	8.0"
Hammer Weight (Less Bit)	173.2Kgs	381Lbs
Drill Bit Weight (216mm/8 1/2")	53.1Kgs	117Lbs
Piston Weight	39Kgs	86Lbs
Backhead Stand Off	0.75mm	0.030"
Make up Torque	8135-10850 NM	6000-8000 FT Lbs
Wear Sleeve Reverse Limit	172mm	6.770"
Wear Sleeve Discard Limit	169mm	6.650"
Recommended Minimum Air Package	425 l/s @ 24.1 Bar	900 cfm @ 350 psi



2.8.3 Mincon 8DHSD DTH Hammer



Item #	Part Number	Description
	MD801AS03	Mincon 8DHSD (4 1/2" A.P.I. Reg. Pin)
1	MD801BH01	Backhead (4 1/2" A.P.I. Reg. Pin)
2	MD822OR01	O Ring
3	MB506CH01	Choke Blank
4	MD802CV01	Check Valve
5	MB503SP01	Spring
6	MD805LR01	Lock Ring
7	MD804SM01	Steel Make-Up Ring
8	MD807DR01	Air Distributor
9	MD821OR01	O Ring
10	MD820OR01	O Ring
11	MD809SR01	Seating Ring
12	MD808IC01	Inner Cylinder
13	MD810PN03	Piston
14	MD811WS01	Wear Sleeve
15	MD812PR01	Piston Retaining Ring
16	MD814BR03	Bit Retaining Ring
17	MD815CK03	Chuck (SD8)
18	MD826SK03	Service Kit
	MD826SK03	Service Kit
3	MB506CH01	Choke Blank
	MB506CH02	Choke 1/8" (3.2mm)
	MB506CH03	Choke 3/16" (4.8mm)
5	MB503SP01	Spring
	MD825OK03	O Ring Kit
	MD825OK03	O Ring Kit
2	MD822OR01	O Ring
9	MD821OR01	O Ring
10	MD820OR01	O Ring

Specifications	Metric	Imperial
Hammer Outside Diameter	181mm	7.15"
Hammer Length (Less Bit, Backhead Shoulder to Chuck)	1186mm	46.7"
Backhead Spanner Flat Size	140mm	5.5"
Drill Bit Shank Type	SD8/6315	
Minimum Bit Size	203mm	8.0"
Hammer Weight (Less Bit)	173.2Kgs	381Lbs
Drill Bit Weight (216mm/8 1/2")	48.5Kgs	107Lbs
Piston Weight	39Kgs	86Lbs
Backhead Stand Off	0.75mm	0.030"
Make up Torque	8135-10850 NM	6000-8000 FT Lbs
Wear Sleeve Reverse Limit	172mm	6.770"
Wear Sleeve Discard Limit	169mm	6.650"
Recommended Minimum Air Package	425 l/s @ 24.1 Bar	900 cfm @ 350 psi



2.8.4 Mincon MP85 DTH Hammer



Item #	Part Number	Description
	MD801AS04	Mincon MP85 (4 1/2" A.P.I. Reg. Pin)
1	MD801BH03	Backhead (4 1/2" A.P.I. Reg. Pin)
2	MD822OR01	O Ring
3	MB506CH01	Choke Blank
4	MD802CV01	Check Valve
5	MB503SP01	Spring
6	MD805LR01	Lock Ring
7	MD804SM01	Steel Make-Up Ring
8	MD807DR01	Air Distributor
9	MD821OR01	O Ring
10	MD820OR01	O Ring
11	MD809SR01	Seating Ring
12	MD808IC01	Inner Cylinder
13	MD810PN02	Piston
14	MD811WS03	Wear Sleeve
15	MD812PR01	Piston Retaining Ring
16	MD813BB01	Aligner
17	MD822OR01	O Ring
18	MD814BR02	Bit Retaining Ring
19	MD821OR01	O Ring
20	MD815CK04	Chuck (QL80)
21	MD826SK02	Service Kit
	MD826SK02	Service Kit
3	MB506CH01	Choke Blank
	MB506CH02	Choke 1/8" (3.2mm)
	MB506CH03	Choke 3/16" (4.8mm)
5	MB503SP01	Spring
	MD825OK02	O Ring Kit
	MD825OK02	O Ring Kit
2	MD822OR01	O Ring
9	MD821OR01	O Ring
10	MD820OR01	O Ring
17	MD822OR01	O Ring
19	MD821OR01	O Ring

Specifications	Metric	Imperial
Hammer Outside Diameter	193mm	7.77"
Hammer Length (Less Bit, Backhead Shoulder to Chuck)	1186mm	46.7"
Backhead Spanner Flat Size	140mm	5.5"
Drill Bit Shank Type		QL80
Minimum Bit Size	203mm	8.0"
Hammer Weight (Less Bit)	173.2Kgs	381Lbs
Drill Bit Weight (216mm/8 1/2")	53.1Kgs	117Lbs
Piston Weight	39Kgs	86Lbs
Backhead Stand Off	0.75mm	0.030"
Make up Torque	8135-10850 NM	6000-8000 FT Lbs
Wear Sleeve Reverse Limit	172mm	6.770"
Wear Sleeve Discard Limit	169mm	6.650"
Recommended Minimum Air Package	425 l/s @ 24.1 Bar	900 cfm @ 350 psi



2.9 9" Range

2.9.1 Mincon MP90 DTH Hammer



Item #	Part Number	Description
	MD901AS02	Mincon MP90 (4 1/2" A.P.I. Reg. Pin)
1	MD901BH03	Backhead (4 1/2" A.P.I. Reg. Pin)
2	MD922OR01	O Ring
3	MB506CH01	Choke Blank
4	MD802CV01	Check Valve
5	MB503SP01	Spring
6	MD904SM01	Steel Make-Up Ring
7	MD905LR01	Lock Ring
8	MD907DR01	Air Distributor
9	MD921OR01	O Ring
10	MD820OR01	O Ring
11	MD909SR01	Seating Ring
12	MD908IC01	Inner Cylinder
13	MD910PN01	Piston
14	MD901WS01	Wear Sleeve
15	MD912PR01	Piston Retaining Ring
16	MD913BB01	Aligner
17	MD922OR01	O Ring
18	MD914BR01	Bit Retaining Ring
19	MD821OR01	O Ring
20	MD915CK01	Chuck (TD90)
21	MD926SK01	Service Kit
	MD926SK01	Service Kit
3	MB506CH01	Choke Blank
	MB506CH02	Choke 1/8" (3.2mm)
	MB506CH03	Choke 3/16" (4.8mm)
5	MB503SP01	Spring
	MD925OK01	O Ring Kit
	MD925OK01	O Ring Kit
2	MD922OR01	O Ring
9	MD921OR01	O Ring
10	MD820OR01	O Ring
17	MD922OR01	O Ring
19	MD821OR01	O Ring

Specifications	Metric	Imperial
Hammer Outside Diameter	195mm	7.68"
Hammer Length (Less Bit, Backhead Shoulder to Chuck)	1325mm	52.17"
Backhead Spanner Flat Size	140mm	5.5"
Drill Bit Shank Type		TD90
Minimum Bit Size	229mm	9.0"
Hammer Weight (Less Bit)	228.8Kgs	504Lbs
Drill Bit Weight (216mm/8 1/2")	71.7Kgs	158Lbs
Piston Weight	60Kgs	132Lbs
Backhead Stand Off	1.45mm	0.057"
Make up Torque	8135-10850 NM	7000-9000 FT Lbs
Wear Sleeve Reverse Limit	NA	
Wear Sleeve Discard Limit	169mm	6.650"
Recommended Minimum Air Package	425 l/s @ 24.1 Bar	900 cfm @ 350 psi



2.10 12" Range

2.10.1 Mincon XP120SD DTH Hammer



Item #	Part Number	Description
	MD1201AS01	Mincon XP120-SD12 (6 5/8" A.P.I. Reg. Pin)
1	MD1201BH01	Backhead (6 5/8" A.P.I. Reg. Pin)
2	MD1220OR01	O Ring
3	MB506CH01	Choke Blank
4	MD1202CV01	Check Valve
5	MD1203SP01	Spring
6	MD1205LR01	Lock Ring
7	MD1207DR01	Air Distributor
8	MD1221OR01	O Ring
9	MD1222OR01	O Ring
10	MD1209SR01	Seating Ring
11	MD1208IC01	Inner Cylinder
12	MD1210PN01	Piston
13	MD1211WS01	Wear Sleeve
14	MD1212PR01	Piston Retaining Ring
15	MD1214BR01	Bit Retaining Ring
16	MD1223OR01	O Ring
17	MD1223OR01	O Ring
18	MD1215CK01	Chuck (SD12)
19	MD1226SK01	Service Kit
	MD1226SK01	Service Kit
3	MB506CH01	Choke Blank
	MB506CH02	Choke 1/8" (3.2mm)
	MB506CH03	Choke 3/16" (4.8mm)
5	MD1203SP01	Spring
	MD1225OK01	O Ring Kit
	MD1225OK01	O Ring Kit
2	MD1220OR01	O Ring
8	MD1221OR01	O Ring
9	MD1222OR01	O Ring
16	MD1223OR01	O Ring
17	MD1223OR01	O Ring

Specifications	Metric	Imperial
Hammer Outside Diameter	273mm	10.75"
Hammer Length (Less Bit, Backhead Shoulder to Chuck)	1437mm	56.6"
Backhead Spanner Flat Size	240mm	9.5"
Drill Bit Shank Type	SD12	
Minimum Bit Size	305mm	12"
Hammer Weight (Less Bit)	567.3Kgs	1248Lbs
Drill Bit Weight (305mm/12")	128.6Kgs	283Lbs
Piston Weight	121Kgs	266Lbs
Backhead Stand Off	2mm	0.080"
Make up Torque	15250-16270 NM	11250-12000 FT Lbs
Wear Sleeve Reverse Limit	Non Reversible	
Wear Sleeve Discard Limit	255.3mm	10.051"
Recommended Minimum Air Package	519 l/s @ 24.1 Bar	1100 cfm @ 350 psi



2.10.2 Mincon XP120QL DTH Hammer



Item #	Part Number	Description
	MD1201AS02	Mincon XP120QL (6 5/8" A.P.I. Reg. Pin)
1	MD1201BH01	Backhead (6 5/8" A.P.I. Reg. Pin)
2	MD1220OR01	O Ring
3	MB506CH01	Choke Blank
4	MD1202CV01	Check Valve
5	MD1203SP01	Spring
6	MD1205LR01	Lock Ring
7	MD1207DR01	Air Distributor
8	MD1221OR01	O Ring
9	MD1222OR01	O Ring
10	MD1209SR01	Seating Ring
11	MD1208IC01	Inner Cylinder
12	MD1210PN04	Piston
13	MD1211WS01	Wear Sleeve
14	MD1212PR01	Piston Retaining Ring
15	MD1213BB03	Aligner
16	MD1220OR01	O Ring
17	MD1214BR03	Bit Retaining Ring
18	MD1223OR01	O Ring
19	MD1217CB01	Chuck Bushing
20	MD1215CK04	Chuck (QL120)
21	MD1226SK02	Service Kit
	MD1226SK02	Service Kit
3	MB506CH01	Choke Blank
	MB506CH02	Choke 1/8" (3.2mm)
	MB506CH03	Choke 3/16" (4.8mm)
5	MD1203SP01	Spring
	MD1225OK02	O Ring Kit
	MD1225OK02	O Ring Kit
2	MD1220OR01	O Ring
8	MD1221OR01	O Ring
9	MD1222OR01	O Ring
16	MD1220OR01	O Ring
18	MD1223OR01	O Ring

Specifications	Metric	Imperial
Hammer Outside Diameter	273mm	10.75"
Hammer Length (Less Bit, Backhead Shoulder to Chuck)	1437mm	56.6"
Backhead Spanner Flat Size	240mm	9.5"
Drill Bit Shank Type	QL120	
Minimum Bit Size	305mm	12"
Hammer Weight (Less Bit)	567.3Kgs	1248Lbs
Drill Bit Weight (305mm/12")	128.6Kgs	283Lbs
Piston Weight	121Kgs	266Lbs
Backhead Stand Off	2mm	0.080"
Make up Torque	15250-16270 NM	11250-12000 FT Lbs
Wear Sleeve Reverse Limit	Non Reversible	
Wear Sleeve Discard Limit	255.3mm	10.051"
Recommended Minimum Air Package	519 l/s @ 24.1 Bar	1100 cfm @ 350 psi



3. Mincon Hammer Rebuild Kits

Replacing the external wear components of a DTH hammer can prove to be a very economical exercise. The internal components of Mincon hammers are manufactured to the highest standards and with the correct lubrication and care can be used multiple times by rebuilding the hammer when drilling in hard, abrasive drilling conditions.

The rebuild kit contains the backhead, wear sleeve, chuck, lock ring and O ring kit. The part number for the rebuild kit is the same as the hammer with the AS replaced by RB. The following sections give the most popular rebuild part numbers.

3.1 3" Rebuild Kits

Part Number	Description	Shank	Backhead Connection
MS301RB01	Mincon MC30 Rebuild Kit	MC30	2 3/8" A.P.I. Reg. Pin
MS301RB02	Mincon 3 Rebuild Kit	DHD 3.5	2 3/8" A.P.I. Reg. Pin
MB301RB02	Mincon 3.5 Rebuild Kit	DHD 3.5	2 3/8" A.P.I. Reg. Pin
MB301RB03	Mincon MP35 Rebuild Kit	MD3.5	2 3/8" A.P.I. Reg. Pin

3.2 4" Rebuild Kits

Part Number	Description	Shank	Backhead Connection
MD401RB05	Mincon 4HRRebuild Kit	DHD340A	2 3/8" A.P.I. Reg. Pin
MD401RB09	Mincon 4HRSD Rebuild Kit	SD4	2 3/8" A.P.I. Reg. Pin
MD401RB15	Mincon MC40 Rebuild Kit	MC43	2 3/8" A.P.I. Reg. Pin
MD401RB16	Mincon 4HRTD Rebuild Kit	TD40	2 3/8" A.P.I. Reg. Pin
MD401RB19	Mincon MC40 Rebuild Kit	MC42	2 3/8" A.P.I. Reg. Pin
MD401RB23	Mincon MQ40 Rebuild Kit	TD40	2 3/8" A.P.I. Reg. Pin

3.3 5" Rebuild Kits

Part Number	Description	Shank	Backhead Connection
MP501RB01	Mincon MP50 Rebuild Kit	QL50	3 1/2" A.P.I. Reg. Pin
MP501RB02	Mincon MQ50 Rebuild Kit	QL50	3 1/2" A.P.I. Reg. Pin
MBX501RB02	Mincon 55BH Rebuild Kit	DHD350R	3 1/2" A.P.I. Reg. Pin
MBX501RB03	Mincon MP55 Rebuild Kit	QL50	3 1/2" A.P.I. Reg. Pin
MBX501RB03B	Mincon MP55 with Buttons Rebuild Kit	QL50	3 1/2" A.P.I. Reg. Pin
MBX501RB05	Mincon MP55SD Rebuild Kit	SD5	3 1/2" A.P.I. Reg. Pin
MBX501RB08	Mincon MC55 Rebuild Kit	MC51	3 1/2" A.P.I. Reg. Pin
MBX501RB08B	Mincon MC55 with Buttons Rebuild Kit	MC51	3 1/2" A.P.I. Reg. Pin
MBX501RB12	Mincon MQ55 Rebuild Kit	QL50	3 1/2" A.P.I. Reg. Pin
MBX501RB12B	Mincon MQ55 with Buttons Rebuild Kit	QL50	3 1/2" A.P.I. Reg. Pin
MDX501RB04	Mincon 5DH Rebuild Kit	DHD350R	3 1/2" A.P.I. Reg. Pin
MDX501RB06	Mincon 5DHQL Rebuild Kit	QL50	3 1/2" A.P.I. Reg. Pin

3.4 6" Rebuild Kits

Part Number	Description	Shank	Backhead Connection
M3601RB01	Mincon 6DH360 Rebuild Kit	DHD360	3 1/2" A.P.I. Reg. Pin
M3601RB01B	Mincon 6DH360 with Buttons Rebuild Kit	DHD360	3 1/2" A.P.I. Reg. Pin
MD601RB01	Mincon 6DH Rebuild Kit	QL60	3 1/2" A.P.I. Reg. Pin
MD601RB01B	Mincon 6DH with Buttons Rebuild Kit	QL60	3 1/2" A.P.I. Reg. Pin
MD601RB02	Mincon 6DH-LV Rebuild Kit	QL60	3 1/2" A.P.I. Reg. Pin
MD601RB06	Mincon 6DHSD Rebuild Kit	SD6	3 1/2" A.P.I. Reg. Pin
MD601RB07	Mincon MC60 Rebuild Kit	MC61	3 1/2" A.P.I. Reg. Pin
MD601RB10	Mincon MQ60 Rebuild Kit	QL60	3 1/2" A.P.I. Reg. Pin



3.5 6" Heavy Duty Rebuild Kits

Part Number	Description	Shank	Backhead Connection
MB601RB01	Mincon 6BH Rebuild Kit	QL60	3 1/2" A.P.I. Reg. Pin
MB601RB01B	Mincon 6BH with Buttons Rebuild Kit	QL60	3 1/2" A.P.I. Reg. Pin
MB601RB04	Mincon MC65 Rebuild Kit	MC61	3 1/2" A.P.I. Reg. Pin
MB601RB04B	Mincon MC65 with Buttons Rebuild Kit	MC61	3 1/2" A.P.I. Reg. Pin
MB601RB08	Mincon MQ65 Rebuild Kit	QL60	3 1/2" A.P.I. Reg. Pin
MB601RB08B	Mincon MQ65 with Buttons Rebuild Kit	QL60	3 1/2" A.P.I. Reg. Pin
MC601RB01	Mincon MQ68 Rebuild Kit	QL60	3 1/2" A.P.I. Reg. Pin
MC601RB01B	Mincon MQ68 with Buttons Rebuild Kit	QL60	3 1/2" A.P.I. Reg. Pin
MB601RB10	Mincon MC65 Rebuild Kit	MC61	3 1/2" BECO Pin
MB601RB11	Mincon 6BH Rebuild Kit	QL60	3 1/2" BECO Pin

3.6 7" Rebuild Kits

Part Number	Description	Shank	Backhead Connection
MD701RB01	Mincon MC70 Rebuild Kit	MC70	4 1/2" A.P.I. Reg. Pin
MD701RB01B	Mincon MC70 with Buttons Rebuild Kit	MC70	4 1/2" A.P.I. Reg. Pin

3.7 8" Rebuild Kits

Part Number	Description	Shank	Backhead Connection
MD801RB01	Mincon 8DH Rebuild Kit	DHD380	4 1/2" A.P.I. Reg. Pin
MD801RB01B	Mincon 8DH with Buttons Rebuild Kit	DHD380	4 1/2" A.P.I. Reg. Pin
MD801RB02	Mincon MP80 Rebuild Kit	QL80	4 1/2" A.P.I. Reg. Pin
MD801RB02B	Mincon MP80 with Buttons Rebuild Kit	QL80	4 1/2" A.P.I. Reg. Pin
MD801RB03	Mincon 8DHSD8 Rebuild Kit	SD8	4 1/2" A.P.I. Reg. Pin
MD801RB03B	Mincon 8DHSD8 with Buttons Rebuild Kit	SD8	4 1/2" A.P.I. Reg. Pin
MD801RB04	Mincon MP85 Rebuild Kit	QL80	4 1/2" A.P.I. Reg. Pin
MD801RB04B	Mincon MP85 with Buttons Rebuild Kit	QL80	4 1/2" A.P.I. Reg. Pin
MD801RB08	Mincon MC80 Rebuild Kit	MC81	4 1/2" A.P.I. Reg. Pin
MD801RB09	Mincon MC85 Rebuild Kit	MC81	4 1/2" A.P.I. Reg. Pin
MD801RB10	Mincon MC80 Rebuild Kit	MC81	4 1/2" BECO Pin
MD801RB11	Mincon MC80 Rebuild Kit	MC81	4" BECO Pin
MD801RB12	Mincon MC80 Rebuild Kit	MC81	4 1/2" BECO Pin
MD801RB13	Mincon MP80 Rebuild Kit	QL80	4 1/2" BECO Pin
MD801RB14	Mincon MP85 Rebuild Kit	QL80	4 1/2" BECO Pin
MD801RB15	Mincon MQ80 Rebuild Kit	QL80	4 1/2" A.P.I. Reg. Pin
MD801RB16	Mincon MQ80 Rebuild Kit	QL80	4 1/2" BECO Pin
MD801RB17	Mincon MQ85 Rebuild Kit	QL80	4 1/2" A.P.I. Reg. Pin

3.8 9" Rebuild Kits

Part Number	Description	Shank	Backhead Connection
MD901RB01	Mincon MP90 Rebuild Kit	MC70	4 1/2" A.P.I. Reg. Pin
MD901RB01B	Mincon MP90 with Buttons Rebuild Kit	MC70	4 1/2" A.P.I. Reg. Pin

3.9 12" Rebuild Kits

Part Number	Description	Shank	Backhead Connection
MD1201RB01	Mincon XP120SD Rebuild Kit	SD12	6 5/8" A.P.I. Reg. Pin
MD1201RB02	Mincon XP120QL Rebuild Kit	QL120	6 5/8" A.P.I. Reg. Pin



4. Mincon DTH Drill Bits

4.1 Choosing the Right Drill Bit

The drill bit is at the business end of the drilling process and ensuring you choose the right drill bit for job is vital to complete the work at the lowest cost per meter possible. Mincon Technical Sales Representatives can aid in this process by evaluating your drilling conditions, hole size, hole depth, equipment, and environmental conditions such as altitude, temperature and relative humidity.




Where appropriate, Mincon Engineers can specifically tailor a drill bit design to suit the particular conditions you encounter. Double gauge row carbides can be used in the case of hard rock drilling conditions to offer better penetration rates and gauge row protection. Three exhaust hole configurations can be used where excessive body wear is experienced and different heat treatment processes can be employed to best suit the ground conditions and wear patterns experienced.





The following shows the three face designs provided within the industry and describes their main attributes and possible drawbacks. Within each design there can be multiple options to suit your particular needs.

Face Designs

Concave	Convex	Flat Face
		
<p>The concave bit design is an excellent all around bit, suitable for soft and hard formations. The cone shaped face design provides good stability during drilling, allowing for straighter holes while reducing equipment vibration. The carbide configuration gives added penetration in many formations.</p>	<p>Suitable for most drilling applications, particularly hard, abrasive rock to give a combination of speed and good service life.</p>	<p>Used for general purpose drilling, the flat face design is considered effective in very broken ground as well as hard formations and softer formations that tend to over drill.</p>

When choosing the drill bit design that will best suit a particular set of conditions, the carbide button shape and grade is extremely important. Mincon manufactures it's own carbide to ensure that the highest quality drill bit is delivered to our customers. We also source some carbide that our customers request be incorporated into their drill bits. The following shows the shapes of carbide that are commonly seen in DTH drill bits and descriptions on their use and suitability.



DOME

Tough shape for hard abrasive rock and deep hole drilling. Can be used in all applications. Also known as Spherical.



BALLISTIC

Big chip producer. Ideal for less abrasive sedimentary deposits where speed is vital. Less suited to badly broken ground and hard rock.



PARABOLIC

A combination design to provide increased speed over the Dome design with greater wear characteristics than Ballistic. Less suited to broken ground. Also known as Semi-Ballistic.



CONICAL

Suitable for sedimentary and broken rock conditions. Also known as Spike.



4.2 Mincon Drill Bit Part Number System

The following part number key will aid in determining the part number for your drill bit. In the tables of the drill bit shanks in the following sections, the carbide shape, grades and carbide locations have been omitted and would be added based on the codes below.

64QL60C50DBHG

Drill Bit Diameter

The first three digits in the part number indicate the size of the bit. The first two represent the major size in inches and the last number represents the fractional size in eighth's of an inch.

Shank Code

DHD3.5	= IR35
Mincon MD3.5	= MD35
Mincon MC30	= MC30
SD3/3015	= 3015
DHD340A	= 340A
Mincon MD4	= MD40
Mincon MC42	= MC42
TD40 w/ no Foot Valve	= MQ40
SD4/3415	= 3415
TD40	= TD40
DHD350R	= 350R
QL50	= QL50
SD5/4315	= 4315
Mincon MC51	= MC51
QL50 w/ no Foot Valve	= MQ50
DHD360	= I360
QL60	= QL60
SD6/5315	= 5315
Mincon MC61	= MC61
QL60 w no Foot Valve	= MQ60
DHD380	= I380
QL80	= QL80
SD8/6315	= 6315
Mincon MC81	= MC81
QL80 w/ no Foot Valve	= MQ80
SD10	= SD10
SD12	= SD12
QL120	= QL12

Face Design

Convex	= V
Concave	= C
Flat Face	= F

Location of Non-Standard Carbide

All Over	= A
Gauge Only	= G

Carbide Grade if Non-Standard

HX1	= H
Dyanite	= D

Face Button Type if Different from Gauge

Dome	= D
Ballistic	= B
Parabolic	= P
Conical	= S

Gauge Row Button Type

Dome	= D
Ballistic	= B
Parabolic	= P
Conical	= S

Number of Gauge Row Buttons

8	= 8
9	= 9
10	= 0
12	= 2

Gauge Row Button Size

7/16"	= 7
1/2"	= 1
9/16"	= 9
5/8"	= 5
3/4"	= 3



4.3 MC Range

4.3.1 MC30 Shank



Specifications	Metric	Imperial
Minimum Hole Size	85mm	3 3/8"
Number of Splines	8	
Height of Foot Valve Above Strike Face	N/A	
Length of Shank	130mm	5.12"
Bearing Surface Diameter	N/A	
Mincon DTH Hammer(s)	MC30	

Diameter		Face Type	Part Number	No. x Button Dia (inch)			Flushing holes	Weight Approx.	
mm	inch			Outer	Inner	Front		Kgs.	Lbs.
90	3 1/2	Concave	34MC30C76	6 - 7/16"	3 - 7/16"	3 - 7/16"	2	5	11
90	3 1/2	Convex	34MC30V77	7 - 7/16"	3 - 7/16"	3 - 7/16"	2	5	11
91	3 9/16	Convex	345MC30V77	7 - 7/16"	3 - 7/16"	3 - 7/16"	2	5	11
92	3 5/8	Convex	35MC30V77	7 - 7/16"	3 - 7/16"	3 - 7/16"	2	5	11
95	3 3/4	Concave	36MC30C78	7 - 7/16"	4 - 7/16"	2 - 7/16"	2	5	11
95	3 3/4	Convex	36MC30V17	7 - 1/2"	3 - 1/2"	2 - 1/2"	2	5	11
98	3 7/8	Concave	37MC30C78	8 - 7/16"	4 - 7/16"	2 - 7/16"	2	5.9	13
98	3 7/8	Convex	37MC30V78	8 - 7/16"	4 - 7/16"	4 - 7/16"	2	5.9	13
102	4	Concave	40MC30C78	8 - 7/16"	4 - 7/16"	4 - 7/16"	2	6.4	14



4.3.2 MC42 Shank



Specifications	Metric	Imperial
Minimum Hole Size	110mm	4 3/8"
Number of Splines		10
Height of Foot Valve Above Strike Face	N/A	
Length of Shank	149mm	5.85"
Bearing Surface Diameter		N/A
Mincon DTH Hammer(s)		MC40

Diameter		Face Type	Part Number	No. x Button Dia (inch)			Flushing holes	Weight Approx.	
mm	inch			Outer	Inner	Front		Kgs.	Lbs.
108	4 1/4	Concave	42MC42C18	8 - 1/2"	4 - 1/2"	2 - 1/2"	2	8.6	19
115	4.5	Concave	44MC42C98	8 - 9/16"	4 - 1/2"	3 - 1/2"	2	9.5	21
115	4.5	Flat Face	44MC42F98	8 - 9/16"		7 - 1/2"	2	9.5	21
115	4.5	Convex	44MC42V98	8 - 9/16"		8 - 1/2"	2	9.5	21
120	4 3/4	Concave	46MC42C98	8 - 9/16"	4 - 1/2"	3 - 1/2"	2	10.4	23
120	4 3/4	Flat Face	46MC42F98	8 - 9/16"		7 - 1/2"	2	10.4	23
120	4 3/4	Convex	46MC42V98	8 - 9/16"		8 - 1/2"	2	10.4	23
124	4 7/8	Concave	47MC42C98	8 - 9/16"	4 - 1/2"	3 - 1/2"	2	10.9	24
124	4 7/8	Convex	47MC42V98	8 - 9/16"	4 - 9/16"	4 - 1/2"	2	10.9	24
127	5	Concave	50MC42C98	8 - 9/16"	4 - 1/2"	3 - 1/2"	2	11.4	25
127	5	Convex	50MC42V98	8 - 9/16"	4 - 9/16"	4 - 9/16"	2	11.4	25
130	5 1/8	Concave	51MC42C98	8 - 9/16"	4 - 1/2"	3 - 1/2"	2	11.8	26
133	5 1/4	Concave	52MC42C98	8 - 9/16"	4 - 1/2"	3 - 1/2"	2	12.3	27





4.3.3 MC43 Shank



Specifications	Metric	Imperial
Minimum Hole Size	110mm	4 3/8"
Number of Splines	10	
Height of Foot Valve Above Strike Face	N/A	
Length of Shank	149mm	5.85"
Bearing Surface Diameter	N/A	
Mincon DTH Hammer(s)	MC40	

Diameter		Face Type	Part Number	No. x Button Dia (inch)			Flushing holes	Weight Approx.	
mm	inch			Outer	Inner	Front		Kgs.	Lbs.
108	4 1/4	Concave	42MC43C18	8 - 1/2"	4 - 1/2"	2 - 1/2"	2	8.6	19
115	4.5	Concave	44MC43C98	8 - 9/16"	4 - 1/2"	3 - 1/2"	2	9.5	21
115	4.5	Flat Face	44MC43F98	8 - 9/16"		7 - 1/2"	2	9.5	21
115	4.5	Convex	44MC43V98	8 - 9/16"		8 - 1/2"	2	9.5	21
120	4 3/4	Concave	46MC43C98	8 - 9/16"	4 - 1/2"	3 - 1/2"	2	10.4	23
120	4 3/4	Flat Face	46MC43F98	8 - 9/16"		7 - 1/2"	2	10.4	23
120	4 3/4	Convex	46MC43V98	8 - 9/16"		8 - 1/2"	2	10.4	23
124	4 7/8	Concave	47MC43C98	8 - 9/16"	4 - 1/2"	3 - 1/2"	2	10.9	24
124	4 7/8	Convex	47MC43V98	8 - 9/16"	4 - 9/16"	4 - 1/2"	2	10.9	24
127	5	Concave	50MC43C98	8 - 9/16"	4 - 1/2"	3 - 1/2"	2	11.4	25
127	5	Convex	50MC43V98	8 - 9/16"	4 - 9/16"	4 - 9/16"	2	11.4	25
130	5 1/8	Concave	51MC43C98	8 - 9/16"	4 - 1/2"	3 - 1/2"	2	11.8	26
133	5 1/4	Concave	52MC43C98	8 - 9/16"	4 - 1/2"	3 - 1/2"	2	12.3	27



4.3.4 MC51 Shank



Specifications	Metric	Imperial
Minimum Hole Size	130mm	5"
Number of Splines		12
Height of Foot Valve Above Strike Face	N/A	
Length of Shank	178mm	7.01"
Bearing Surface Diameter		N/A
Mincon DTH Hammer(s)		MC55

Diameter		Face Type	Part Number	No. x Button Dia (inch)			Flushing holes	Weight Approx.	
mm	inch			Outer	Inner	Front		Kgs.	Lbs.
127	5	Concave	50MC51C58	8 - 5/8"	4 - 1/2"	3 - 1/2"	2	15.9	35
130	5.125	Concave	51MC51C58	8 - 5/8"	4 - 1/2"	3 - 1/2"	2	15.9	35
133	5.25	Concave	52MC51C58	8 - 5/8"	4 - 9/16"	3 - 9/16"	2	16.3	36
140	5.5	Concave	54MC51C58	8 - 5/8"	4 - 9/16"	4 - 9/16"	2	17.3	38
140	5 1/2	Concave	54MC51C59	9 - 5/8"	6 - 9/16"	6 - 9/16"	3	17.3	38
140	5 1/2	Flat Face	54MC51F58	8 - 5/8"		7 - 5/8"	2	17.3	38
140	5 1/2	Flat Face	54MC51F59	9 - 5/8"		9 - 9/16"	3	17.3	38
140	5 1/2	Convex	54MC51V59	9 - 5/8"	6 - 9/16"	4 - 9/16"	3	17.3	38
146	5 3/4	Concave	56MC51C58	8 - 5/8"	4 - 5/8"	4 - 5/8"	2	17.7	39
140	5 3/4	Concave	56MC51C59	9 - 5/8"	6 - 9/16"	6 - 9/16"	3	17.7	39
146	5 3/4	Flat Face	56MC51F58	8 - 5/8"		8 - 5/8"	2	17.7	39
140	5 3/4	Convex	56MC51V59	9 - 5/8"	3 - 5/8"	5 - 5/8"	3	17.7	39
149	5 7/8	Concave	60MC51C58	8 - 5/8"	4 - 5/8"	4 - 5/8"	2	18.6	41
152	6	Concave	60MC51C58	8 - 5/8"	4 - 5/8"	4 - 5/8"	2	18.6	41





4.3.5 MC61 Shank



Specifications	Metric	Imperial
Minimum Hole Size	149mm	5 7/8"
Number of Splines		12
Height of Foot Valve Above Strike Face	N/A	
Length of Shank	189mm	7.44"
Bearing Surface Diameter		N/A
Mincon DTH Hammer(s)		MC60, MC65

Diameter		Face Type	Part Number	No. x Button Dia (inch)			Flushing holes	Weight Approx.	
mm	inch			Outer	Inner	Front		Kgs.	Lbs.
150	5 7/8	Concave	57MC61C58	8 - 5/8"	4 - 5/8"	4 - 5/8"	2	22.7	50
152	6	Concave	60MC61C58	8 - 5/8"	4 - 5/8"	4 - 5/8"	2	22.7	50
152	6	Flat Face	60MC61F58	8 - 5/8"		8 - 5/8"	2	22.7	50
152	6	Convex	60MC61V58	8 - 5/8"	4 - 5/8"	4 - 5/8"	2	22.7	50
156	6 1/8	Concave	61MC61C58	8 - 5/8"	4 - 5/8"	4 - 5/8"	2	23.2	51
156	6 1/8	Concave	61MC61C50	10 - 5/8"	6 - 5/8"	4 - 5/8"	2	23.2	51
156	6 1/8	Convex	61MC61V58	8 - 5/8"	4 - 5/8"	4 - 5/8"	2	23.2	51
156	6 1/8	Concave	61MC61C38	8-3/4"	4 - 5/8"	4 - 5/8"	2	23.6	52
159	6 1/4	Concave	62MC61C58	8 - 5/8"	4 - 5/8"	4 - 5/8"	2	23.6	52
159	6 1/4	Concave	62MC61C38	8-3/4"	4 - 5/8"	4 - 5/8"	2	24.1	53
165	6 1/2	Concave	64MC61C58	8 - 5/8"	4 - 5/8"	4 - 5/8"	2	24.5	54
165	6 1/2	Concave	64MC61C335	8 - 3/4"	4 - 3/4"	4 - 5/8"	2	25	55
165	6 1/2	Flat Face	64MC61F38	8 - 3/4"		8 - 5/8"	2	25	55
165	6 1/2	Convex	64MC61V359	9 - 3/4"	4 - 5/8"	4 - 5/8"	3	25	55
171	6 3/4	Concave	66MC61C58	8 - 5/8"	4 - 5/8"	4 - 5/8"	2	25.4	56
171	6 3/4	Concave	66MC61C335	8 - 3/4"	4 - 3/4"	4 - 5/8"	2	25.4	56
171	6 3/4	Concave	66MC61C39	9 - 3/4"	6 - 5/8"	5 - 5/8"	3	25.4	56
171	6 3/4	Convex	66MC61V359	9 - 3/4"	4 - 5/8"	4 - 5/8"	3	25.4	56
171	6 3/4	Flat Face	66MC61F30	10 - 3/4"		12 - 5/8"	2	25.4	56
178	7	Concave	70MC61C39	9 - 3/4"	6 - 5/8"	5 - 5/8"	3	26.3	58
178	7	Flat Face	70MC61F39	9 - 3/4"		11 - 5/8"	3	26.3	58
190	7 1/2	Concave	74MC61C39	9 - 3/4"	6 - 3/4"	5 - 3/4"	3	30.4	67
190	7 1/2	Flat Face	74MC61F39	9 - 3/4"		11 - 3/4"	3	30.4	67
197	7 3/4	Concave	76MC61C50	10 - 5/8"	4 - 5/8"	8 - 5/8"	2	32.7	72
200	7 7/8	Concave	77MC61C39	9 - 3/4"	6 - 3/4"	5 - 3/4"	3	33.6	74
200	7 7/8	Convex	77MC61V39	9 - 3/4"	6 - 3/4"	5 - 3/4"	3	33.6	74
203	8	Concave	80MC61C30	10 - 3/4"	6 - 3/4"	7 - 3/4"	2	34.1	75
203	8	Convex	80MC61V39	9 - 3/4"	6 - 3/4"	6 - 3/4"	3	34.1	75
216	8 1/2	Concave	84MC61C30	10 - 3/4"	7 - 5/8"	12 - 5/8"	2	35.9	79
219	8 5/8	Concave	85MC61C30	10 - 3/4"	6 - 5/8"	12 - 5/8"	2	36.8	81
222	8 3/4	Concave	86MC61C30	10 - 3/4"	6 - 5/8"	12 - 5/8"	2	37.7	83



4.3.6 MC70 Shank



Specifications	Metric	Imperial
Minimum Hole Size	191mm	7.5"
Number of Splines		14
Height of Foot Valve Above Strike Face	N/A	
Length of Shank	255mm	10.04"
Bearing Surface Diameter		N/A
Mincon DTH Hammer(s)		MC70

Diameter		Face Type	Part Number	No. x Button Dia (inch)			Flushing holes	Weight Approx.	
mm	inch			Outer	Inner	Front		Kgs.	Lbs.
190	7 1/2	Concave	74MC70C39	9 - 3/4"	6 - 3/4"	5- 3/4"	3	49	108
200	7.875	Concave	77MC70C39	9 - 3/4"	6 - 3/4"	5- 3/4"	3	49	108
203	8	Concave	80MC70C39	9 - 3/4"	6 - 3/4"	6 - 3/4"	3	49	108
203	8	Convex	80MC70V32	12 - 3/4"	6 - 3/4"	7 - 3/4"	3	49	108
210	8 1/4	Concave	82MC70C39	9 - 3/4"	6 - 3/4"	6 - 3/4"	3	50.8	112
216	8 1/2	Concave	84MC70C332	12 - 3/4"	8 - 3/4"	8 - 3/4"	3	39.5	87
203	8 1/2	Convex	84MC70V32	12 - 3/4"	6 - 3/4"	7 - 3/4"	3	49	108
222	8 3/4	Concave	86MC70C333	10 - 3/4"	8 - 3/4"	8 - 3/4"	2	53.6	118
225	8 7/8	Concave	87MC70C32D	12 - 3/4"	6 - 3/4"	8 - 3/4"	2	54.9	121
225	8 7/8	Convex	87MC70V32	12 - 3/4"	6 - 3/4"	10 - 3/4"	2	54.9	121
229	9	Concave	90MC70C32	12 - 3/4"	9 - 3/4"	9 - 3/4"	3	53.6	118
235	9 1/4	Concave	92MC70C32	12 - 3/4"	9 - 3/4"	9 - 3/4"	3	56.3	124
241	9 1/2	Concave	94MC70C32	12 - 3/4"	9 - 3/4"	13 - 3/4"	3	59.5	131
241	9 1/2	Convex	94MC70V32	12 - 3/4"	9 - 3/4"	14 - 3/4"	3	59.5	131
248	9 3/4	Concave	96MC70C32	12 - 3/4"	6 - 3/4"	13 - 3/4"	3	62.2	137
251	9 7/8	Concave	97MC70C332	12 - 3/4"	9 - 3/4"	13 - 3/4"	3	64.9	143
254	10	Concave	10MC70C332	12 - 3/4"	9 - 3/4"	13 - 3/4"	3	61.3	135
254	10	Flat	10MC70F32	12 - 3/4"	6 - 3/4"	13 - 3/4"	3	61.3	135



4.3.7 MC81 Shank



Specifications	Metric	Imperial
Minimum Hole Size	200mm	7 7/8"
Number of Splines		16
Height of Foot Valve Above Strike Face	N/A	
Length of Shank	220	8.87"
Bearing Surface Diameter		N/A
Mincon DTH Hammer(s)		MC80

Diameter		Face Type	Part Number	No. x Button Dia (inch)			Flushing holes	Weight Approx.	
mm	inch			Outer	Inner	Front		Kgs.	Lbs.
200	7 7/8	Concave	77MC81C30	10 - 3/4"	6 - 3/4"	7 - 3/4"	2	49	108
203	8	Flat	80MC81F30	10 - 3/4"	4 - 3/4"	8 - 5/8"	2	49	108
203	8	Concave	80MC81C30	10 - 3/4"	6 - 3/4"	4-3/4" / 4-5/8"	2	49	108
203	8	Concave	80MC81C39	9 - 3/4"	6 - 3/4"	6 - 3/4"	3	49	108
203	8	Convex	80MC81V39	9 - 3/4"	6 - 3/4"	6 - 3/4"	3	49	108
210	8 1/4	Concave	82MC81C30	10 - 3/4"	4 - 3/4"	4-3/4" / 4-5/8"	2	50.8	112
210	8 1/4	Concave	82MC81C39	9 - 3/4"	6 - 3/4"	6 - 3/4"	3	50.8	112
216	8 1/2	Concave	84MC81C332	12 - 3/4"	8 - 3/4"	8 - 3/4"	3	52.2	115
216	8 1/2	Flat	84MC81F30	10 - 3/4"	8 - 3/4"	8 - 3/4"	2	52.2	115
219	8 5/8	Concave	85MC81C30	10 - 3/4"	6 - 3/4"	4-3/4" / 6-5/8"	2	52.7	116
222	8 3/4	Concave	86MC81C333	10 - 3/4"	8 - 3/4"	8 - 3/4"	2	53.6	118
225	8 7/8	Concave	87MC81C32D	12 - 3/4"	6 - 3/4"	8 - 3/4"	2	54.9	121
225	8 7/8	Convex	87MC81V30	10 - 3/4"	6 - 3/4"	10 - 3/4"	2	54.9	121
229	9	Concave	90MC81C32	12 - 3/4"	9 - 3/4"	9 - 3/4"	3	53.6	118
235	9 1/4	Concave	92MC81C30	10 - 3/4"	6 - 3/4"	4-3/4" / 6-5/8"	2	56.3	124
235	9 1/4	Concave	92MC81C32	12 - 3/4"	9 - 3/4"	9 - 3/4"	3	56.3	124
241	9 1/2	Concave	94MC81C32	12 - 3/4"	9 - 3/4"	13 - 3/4"	3	59.5	131
241	9 1/2	Convex	94MC81V32	12 - 3/4"	9 - 3/4"	14 - 3/4"	3	59.5	131
248	9 3/4	Concave	96MC81C30	10 - 3/4"	6 - 3/4"	4-3/4" / 6-5/8"	2	62.2	137
248	9 3/4	Concave	96MC81C32	12 - 3/4"	6 - 3/4"	13 - 3/4"	3	62.2	137
251	9 7/8	Concave	97MC81C332	12 - 3/4"	9 - 3/4"	13 - 3/4"	3	64.9	143
254	10	Concave	10MC81C332	12 - 3/4"	9 - 3/4"	13 - 3/4"	3	65.8	145
254	10	Flat	10MC81F32	12 - 3/4"	6 - 3/4"	13 - 3/4"	3	65.8	145
260	10 1/4	Concave	102MC81C30	10 - 3/4"	6 - 3/4"	4-3/4" / 6-5/8"	2	67.6	149
260	10 1/2	Concave	104MC81C30	10 - 3/4"	6 - 3/4"	6-3/4" / 6-5/8"	2	69	152
270	10 5/8	Concave	105MC81C32	12 - 3/4"	9 - 3/4"	14 - 3/4"	3	69.5	153
273	10 3/4	Concave	106MC81C30	10 - 3/4"	6 - 3/4"	8-3/4" / 6-5/8"	2	70.4	155
279	11	Concave	11MC81C332	12 - 3/4"	6 - 3/4"	15 - 3/4"	3	71.7	158
286	11 1/4	Concave	112MC81C32	12 - 3/4"	6 - 3/4"	15 - 3/4"	3	73.1	161
292	11 1/2	Concave	114MC81C32	12 - 3/4"	6 - 3/4"	19 - 3/4"	3	74.9	165
298	11 3/4	Concave	116MC81C32	12 - 3/4"	6 - 3/4"	19 - 3/4"	3	75.8	167
302	11 7/8	Concave	117MC81C32	12 - 3/4"	6 - 3/4"	19 - 3/4"	3	77.2	170
305	12	Concave	12MC81C32	12 - 3/4"	6 - 3/4"	19 - 3/4"	3	79	174
311	12 1/4	Concave	122MC81C32	12 - 3/4"	6 - 3/4"	19 - 3/4"	3	80.4	177



4.4 MQ Range

4.4.1 MQ40 Shank



Specifications	Metric	Imperial
Minimum Hole Size	110mm	4 3/8"
Number of Splines	12	
Height of Foot Valve Above Strike Face	N/A	
Length of Shank	209mm	8.23"
Bearing Surface Diameter	N/A	
Mincon DTH Hammer(s)	MQ40	

Diameter		Face Type	Part Number	No. x Button Dia (inch)			Flushing holes	Weight Approx.	
mm	inch			Outer	Inner	Front		Kgs.	Lbs.
108	4 1/4	Concave	42MQ40C18	8 - 1/2"	4 - 1/2"	2 - 1/2"	2	9.1	20
115	4.5	Concave	44MQ40C98	8 - 9/16"	4 - 1/2"	3 - 1/2"	2	10	22
115	4.5	Flat Face	44MQ40F98	8 - 9/16"		7 - 1/2"	2	10	22
115	4.5	Convex	44MQ40V98	8 - 9/16"		8 - 1/2"	2	10	22
120	4 3/4	Concave	46MQ40C98	8 - 9/16"	4 - 1/2"	3 - 1/2"	2	10.9	24
120	4 3/4	Flat Face	46MQ40F98	8 - 9/16"		7 - 1/2"	2	10.9	24
120	4 3/4	Convex	46MQ40V98	8 - 9/16"		8 - 1/2"	2	10.9	24
124	4 7/8	Concave	47MQ40C98	8 - 9/16"	4 - 1/2"	3 - 1/2"	2	11.4	25
127	5	Concave	50MQ40C98	8 - 9/16"	4 - 1/2"	3 - 1/2"	2	11.8	26
127	5	Convex	50MQ40V99	9 - 9/16"	5 - 1/2"	4 - 1/2"	3	11.8	26
130	5 1/8	Concave	51MQ40C98	8 - 9/16"	4 - 1/2"	3 - 1/2"	2	12.3	27
133	5 1/4	Concave	52MQ40C98	8 - 9/16"	4 - 1/2"	3 - 1/2"	2	12.7	28



4.4.2 MQ50 Shank



Specifications	Metric	Imperial
Minimum Hole Size	130mm	5"
Number of Splines	12	
Height of Foot Valve Above Strike Face	N/A	
Length of Shank	240mm	9.47"
Bearing Surface Diameter	N/A	
Mincon DTH Hammer(s)	MQ50, MQ55	

Diameter		Face Type	Part Number	No. x Button Dia (inch)			Flushing holes	Weight Approx.	
mm	inch			Outer	Inner	Front		Kgs.	Lbs.
127	5	Concave	50MQ50C58	8 - 5/8"	4 - 1/2"	3 - 1/2"	2	15.9	35
130	5.125	Concave	51MQ50C58	8 - 5/8"	4 - 1/2"	3 - 1/2"	2	15.9	35
133	5.25	Concave	52MQ50C58	8 - 5/8"	4 - 9/16"	3 - 9/16"	2	16.3	36
140	5.5	Concave	54MQ50C58	8 - 5/8"	4 - 9/16"	4 - 9/16"	2	17.3	38
140	5 1/2	Concave	54MQ50C59	9 - 5/8"	6 - 9/16"	6 - 9/16"	3	17.3	38
140	5 1/2	Flat Face	54MQ50F58	8 - 5/8"		7 - 5/8"	2	17.3	38
140	5 1/2	Flat Face	54MQ50F59	9 - 5/8"		9 - 9/16"	3	17.3	38
140	5 1/2	Convex	54MQ50V59	9 - 5/8"	6 - 9/16"	4 - 9/16"	3	17.3	38
146	5 3/4	Concave	56MQ50C58	8 - 5/8"	4 - 5/8"	4 - 5/8"	2	17.7	39
140	5 3/4	Concave	56MQ50C59	9 - 5/8"	6 - 9/16"	6 - 9/16"	3	17.7	39
146	5 3/4	Flat Face	56MQ50F58	8 - 5/8"		8 - 5/8"	2	17.7	39
140	5 3/4	Convex	56MQ50V59	9 - 5/8"	3 - 5/8"	5 - 5/8"	3	17.7	39
149	5 7/8	Concave	60MQ50C58	8 - 5/8"	4 - 5/8"	4 - 5/8"	2	18.6	41
152	6	Concave	60MQ50C58	8 - 5/8"	4 - 5/8"	4 - 5/8"	2	18.6	41





4.4.3 MQ60 Shank



Specifications	Metric	Imperial
Minimum Hole Size	149mm	5 7/8"
Number of Splines	12	
Height of Foot Valve Above Strike Face	53.3mm	2.100"
Length of Shank	253mm	9.97"
Bearing Surface Diameter	N/A	
Mincon DTH Hammer(s)	MQ60, MQ65, MQ68	

Diameter		Face Type	Part Number	No. x Button Dia (inch)			Flushing holes	Weight Approx.	
mm	inch			Outer	Inner	Front		Kgs.	Lbs.
150	5 7/8	Concave	57MQ60C58	8 - 5/8"	4 - 5/8"	4 - 5/8"	2	22.7	50
152	6	Concave	60MQ60C58	8 - 5/8"	4 - 5/8"	4 - 5/8"	2	22.7	50
152	6	Flat Face	60MQ60F58	8 - 5/8"		8 - 5/8"	2	22.7	50
152	6	Convex	60MQ60V58	8 - 5/8"	4 - 5/8"	4 - 5/8"	2	22.7	50
156	6 1/8	Concave	61MQ60C58	8 - 5/8"	4 - 5/8"	4 - 5/8"	2	23.2	51
156	6 1/8	Concave	61MQ60C50	10 - 5/8"	6 - 5/8"	4 - 5/8"	2	23.2	51
156	6 1/8	Convex	61MQ60V58	8 - 5/8"	4 - 5/8"	4 - 5/8"	2	23.2	51
156	6 1/8	Concave	61MQ60C38	8-3/4"	4 - 5/8"	4 - 5/8"	2	23.6	52
159	6 1/4	Concave	62MQ60C58	8 - 5/8"	4 - 5/8"	4 - 5/8"	2	23.6	52
159	6 1/4	Concave	62MQ60C38	8-3/4"	4 - 5/8"	4 - 5/8"	2	24.1	53
165	6 1/2	Concave	64MQ60C58	8 - 5/8"	4 - 5/8"	4 - 5/8"	2	24.5	54
165	6 1/2	Concave	64MQ60C335	8 - 3/4"	4 - 3/4"	4 - 5/8"	2	25	55
165	6 1/2	Flat Face	64MQ60F38	8 - 3/4"		8 - 5/8"	2	25	55
165	6 1/2	Convex	64MQ60V359	9 - 3/4"	4 - 5/8"	4 - 5/8"	3	25	55
171	6 3/4	Concave	66MQ60C58	8 - 5/8"	4 - 5/8"	4 - 5/8"	2	25.4	56
171	6 3/4	Concave	66MQ60C335	8 - 3/4"	4 - 3/4"	4 - 5/8"	2	25.4	56
171	6 3/4	Concave	66MQ60C39	9 - 3/4"	6 - 5/8"	5 - 5/8"	3	25.4	56
171	6 3/4	Convex	66MQ60V359	9 - 3/4"	4 - 5/8"	4 - 5/8"	3	25.4	56
171	6 3/4	Flat Face	66MQ60F30	10 - 3/4"		12 - 5/8"	2	25.4	56
178	7	Concave	70MQ60C39	9 - 3/4"	6 - 5/8"	5 - 5/8"	3	26.3	58
178	7	Flat Face	70MQ60F39	9 - 3/4"		11 - 5/8"	3	26.3	58
190	7 1/2	Concave	74MQ60C39	9 - 3/4"	6 - 3/4"	5 - 3/4"	3	30.4	67
190	7 1/2	Flat Face	74MQ60F39	9 - 3/4"		11 - 3/4"	3	30.4	67
197	7 3/4	Concave	76MQ60C50	10 - 5/8"	4 - 5/8"	8 - 5/8"	2	32.7	72
200	7 7/8	Concave	77MQ60C39	9 - 3/4"	6 - 3/4"	5 - 3/4"	3	33.6	74
200	7 7/8	Convex	77MQ60V39	9 - 3/4"	6 - 3/4"	5 - 3/4"	3	33.6	74
203	8	Concave	80MQ60C30	10 - 3/4"	6 - 3/4"	7 - 3/4"	2	34.1	75
203	8	Convex	80MQ60V39	9 - 3/4"	6 - 3/4"	6 - 3/4"	3	34.1	75
216	8 1/2	Concave	84MQ60C30	10 - 3/4"	7 - 5/8"	12 - 5/8"	2	35.9	79
219	8 5/8	Concave	85MQ60C30	10 - 3/4"	6 - 5/8"	12 - 5/8"	2	36.8	81
222	8 3/4	Concave	86MQ60C30	10 - 3/4"	6 - 5/8"	12 - 5/8"	2	37.7	83



4.4.4 MQ80 Shank



Specifications	Metric	Imperial
Minimum Hole Size	200mm	7 7/8"
Number of Splines		16
Height of Foot Valve Above Strike Face	N/A	
Length of Shank	332mm	13.05"
Bearing Surface Diameter		N/A
Mincon DTH Hammer(s)		MQ80

Diameter		Face Type	Part Number	No. x Button Dia (inch)			Flushing holes	Weight Approx.	
mm	inch			Outer	Inner	Front		Kgs.	Lbs.
200	7 7/8	Concave	77MQ80C30	10 - 3/4"	6 - 3/4"	7 - 3/4"	2	49	108
203	8	Flat	80MQ80F30	10 - 3/4"	4 - 3/4"	8 - 5/8"	2	49	108
203	8	Concave	80MQ80C30	10 - 3/4"	6 - 3/4"	4-3/4" / 4-5/8"	2	49	108
203	8	Concave	80MQ80C39	9 - 3/4"	6 - 3/4"	6 - 3/4"	3	49	108
203	8	Convex	80MQ80V39	9 - 3/4"	6 - 3/4"	6 - 3/4"	3	49	108
210	8 1/4	Concave	82MQ80C30	10 - 3/4"	4 - 3/4"	4-3/4" / 4-5/8"	2	50.8	112
210	8 1/4	Concave	82MQ80C39	9 - 3/4"	6 - 3/4"	6 - 3/4"	3	50.8	112
216	8 1/2	Concave	84MQ80C332	12 - 3/4"	8 - 3/4"	8 - 3/4"	3	52.2	115
216	8 1/2	Flat	84MQ80F30	10 - 3/4"	8 - 3/4"	8 - 3/4"	2	52.2	115
219	8 5/8	Concave	85MQ80C30	10 - 3/4"	6 - 3/4"	4-3/4" / 6-5/8"	2	52.7	116
222	8 3/4	Concave	86MQ80C333	10 - 3/4"	8 - 3/4"	8 - 3/4"	2	53.6	118
225	8 7/8	Concave	87MQ80C32D	12 - 3/4"	6 - 3/4"	8 - 3/4"	2	54.9	121
225	8 7/8	Convex	87MQ80V30	10 - 3/4"	6 - 3/4"	10 - 3/4"	2	54.9	121
229	9	Concave	90MQ80C32	12 - 3/4"	9 - 3/4"	9 - 3/4"	3	53.6	118
235	9 1/4	Concave	92MQ80C30	10 - 3/4"	6 - 3/4"	4-3/4" / 6-5/8"	2	56.3	124
235	9 1/4	Concave	92MQ80C32	12 - 3/4"	9 - 3/4"	9 - 3/4"	3	56.3	124
241	9 1/2	Concave	94MQ80C32	12 - 3/4"	9 - 3/4"	13 - 3/4"	3	59.5	131
241	9 1/2	Convex	94MQ80V32	12 - 3/4"	9 - 3/4"	14 - 3/4"	3	59.5	131
248	9 3/4	Concave	96MQ80C30	10 - 3/4"	6 - 3/4"	4-3/4" / 6-5/8"	2	62.2	137
248	9.75	Concave	96MQ80C32	12 - 3/4"	6 - 3/4"	13 - 3/4"	3	62.2	137
251	9.875	Concave	97MQ80C332	12 - 3/4"	9 - 3/4"	13 - 3/4"	3	64.9	143
254	10	Concave	10MQ80C332	12 - 3/4"	9 - 3/4"	13 - 3/4"	3	65.8	145
254	10	Flat	10MQ80F32	12 - 3/4"	6 - 3/4"	13 - 3/4"	3	65.8	145
260	10 1/4	Concave	102MQ80C30	10 - 3/4"	6 - 3/4"	4-3/4" / 6-5/8"	2	67.6	149
260	10 1/2	Concave	104MQ80C30	10 - 3/4"	6 - 3/4"	6-3/4" / 6-5/8"	2	69	152
270	10 5/8	Concave	105MQ80C32	12 - 3/4"	9 - 3/4"	14 - 3/4"	3	69.5	153
273	10.75	Concave	106MQ80C30	10 - 3/4"	6 - 3/4"	8-3/4" / 6-5/8"	2	70.4	155
279	11	Concave	11MQ80C332	12 - 3/4"	6 - 3/4"	15 - 3/4"	3	71.7	158
286	11 1/4	Concave	112MQ80C32	12 - 3/4"	6 - 3/4"	15 - 3/4"	3	73.1	161
292	11 1/2	Concave	114MQ80C32	12 - 3/4"	6 - 3/4"	19 - 3/4"	3	74.9	165
298	11 3/4	Concave	116MQ80C32	12 - 3/4"	6 - 3/4"	19 - 3/4"	3	75.8	167
302	11 7/8	Concave	117MQ80C32	12 - 3/4"	6 - 3/4"	19 - 3/4"	3	77.2	170
305	12	Concave	12MQ80C32	12 - 3/4"	6 - 3/4"	19 - 3/4"	3	79	174
311	12 1/4	Concave	122MQ80C32	12 - 3/4"	6 - 3/4"	19 - 3/4"	3	80.4	177



4.5 QL Range

4.5.1 QL50 Shank



Specifications	Metric	Imperial
Minimum Hole Size	130mm	5"
Number of Splines	12	
Height of Foot Valve Above Strike Face	54.4mm	2.030"
Length of Shank	240mm	9.47"
Bearing Surface Diameter	N/A	
Mincon DTH Hammer(s)	MP50, MP55, 5DHQL	

Diameter		Face Type	Part Number	No. x Button Dia (inch)			Flushing holes	Weight Approx.	
mm	inch			Outer	Inner	Front		Kgs.	Lbs.
127	5	Concave	50QL50C58	8 - 5/8"	4 - 1/2"	3 - 1/2"	2	15.9	35
130	5 1/8"	Concave	51QL50C58	8 - 5/8"	4 - 1/2"	3 - 1/2"	2	15.9	35
133	5 1/4"	Concave	52QL50C58	8 - 5/8"	4 - 9/16"	3 - 9/16"	2	16.3	36
140	5 1/2"	Concave	54QL50C58	8 - 5/8"	4 - 9/16"	4 - 9/16"	2	17.3	38
140	5 1/2"	Concave	54QL50C59	9 - 5/8"	6 - 9/16"	6 - 9/16"	3	17.3	38
140	5 1/2"	Flat Face	54QL50F58	8 - 5/8"		7 - 5/8"	2	17.3	38
140	5 1/2"	Flat Face	54QL50F59	9 - 5/8"		9 - 9/16"	3	17.3	38
140	5 1/2"	Convex	54QL50V59	9 - 5/8"	6 - 9/16"	4 - 9/16"	3	17.3	38
146	5 3/4"	Concave	56QL50C58	8 - 5/8"	4 - 5/8"	4 - 5/8"	2	17.7	39
140	5 3/4"	Concave	56QL50C59	9 - 5/8"	6 - 9/16"	6 - 9/16"	3	17.7	39
146	5 3/4"	Flat Face	56QL50F58	8 - 5/8"		8 - 5/8"	2	17.7	39
140	5 3/4"	Convex	56QL50V59	9 - 5/8"	3 - 5/8"	5 - 5/8"	3	17.7	39
149	5 7/8"	Concave	60QL50C58	8 - 5/8"	4 - 5/8"	4 - 5/8"	2	18.6	41
152	6	Concave	60QL50C58	8 - 5/8"	4 - 5/8"	4 - 5/8"	2	18.6	41
Foot Valve			9074						





4.5.2 QL60 Shank



Specifications	Metric	Imperial
Minimum Hole Size	149mm	5 7/8"
Number of Splines	12	
Height of Foot Valve Above Strike Face	53.3mm	2.100"
Length of Shank	253mm	9.97"
Bearing Surface Diameter	91.72mm	
Mincon DTH Hammer(s)	6DH, 6DH-LV, 6BH	

Diameter		Face Type	Part Number	No. x Button Dia (inch)			Flushing holes	Weight Approx.	
mm	inch			Outer	Inner	Front		Kgs.	Lbs.
150	5 7/8	Concave	57QL60C58	8 - 5/8"	4 - 5/8"	4 - 5/8"	2	22.7	50
152	6	Concave	60QL60C58	8 - 5/8"	4 - 5/8"	4 - 5/8"	2	22.7	50
152	6	Flat Face	60QL60F58	8 - 5/8"		8 - 5/8"	2	22.7	50
152	6	Convex	60QL60V58	8 - 5/8"	4 - 5/8"	4 - 5/8"	2	23.2	51
156	6 1/8	Concave	61QL60C58	8 - 5/8"	4 - 5/8"	4 - 5/8"	2	23.2	51
156	6 1/8	Concave	61QL60C50	10 - 5/8"	6 - 5/8"	4 - 5/8"	2	23.2	51
156	6 1/8	Convex	61QL60V58	8 - 5/8"	4 - 5/8"	4 - 5/8"	2	23.2	51
156	6 1/8	Concave	61QL60C38	8-3/4"	4 - 5/8"	4 - 5/8"	2	23.6	52
159	6 1/4	Concave	62QL60C58	8 - 5/8"	4 - 5/8"	4 - 5/8"	2	23.6	52
159	6 1/4	Concave	62QL60C38	8-3/4"	4 - 5/8"	4 - 5/8"	2	24.1	53
165	6 1/2	Concave	64QL60C58	8 - 5/8"	4 - 5/8"	4 - 5/8"	2	24.5	54
165	6 1/2	Concave	64QL60C335	8 - 3/4"	4 - 3/4"	4 - 5/8"	2	25	55
165	6 1/2	Flat Face	64QL60F38	8 - 3/4"		8 - 5/8"	2	25	55
165	6 1/2	Convex	64QL60V359	9 - 3/4"	4 - 5/8"	4 - 5/8"	3	25	55
171	6 3/4	Concave	66QL60C58	8 - 5/8"	4 - 5/8"	4 - 5/8"	2	25.4	56
171	6 3/4	Concave	66QL60C335	8 - 3/4"	4 - 3/4"	4 - 5/8"	2	25.4	56
171	6 3/4	Concave	66QL60C39	9 - 3/4"	6 - 5/8"	5 - 5/8"	3	25.4	56
171	6 3/4	Convex	66QL60V359	9 - 3/4"	4 - 5/8"	4 - 5/8"	3	25.4	56
171	6 3/4	Flat Face	66QL60F30	10 - 3/4"		12 - 5/8"	2	25.4	56
178	7	Concave	70QL60C39	9 - 3/4"	6 - 5/8"	5 - 5/8"	3	26.3	58
178	7	Flat Face	70QL60F39	9 - 3/4"		11 - 5/8"	3	26.3	58
190	7 1/2	Concave	74QL60C39	9 - 3/4"	6 - 3/4"	5 - 3/4"	3	30.4	67
190	7 1/2	Flat Face	74QL60F39	9 - 3/4"		11 - 3/4"	3	30.4	67
197	7 3/4	Concave	76QL60C50	10 - 5/8"	4 - 5/8"	8 - 5/8"	2	32.7	72
200	7 5/8	Concave	77QL60C39	9 - 3/4"	6 - 3/4"	5 - 3/4"	3	33.6	74
200	7 7/8	Convex	77QL60V39	9 - 3/4"	6 - 3/4"	5 - 3/4"	3	33.6	74
203	8	Concave	80QL60C30	10 - 3/4"	6 - 3/4"	7 - 3/4"	2	34.1	75
203	8	Convex	80QL60V39	9 - 3/4"	6 - 3/4"	6 - 3/4"	3	34.1	75
216	8 1/2	Concave	84QL60C30	10 - 3/4"	7 - 5/8"	12 - 5/8"	2	35.9	79
219	8 5/8	Concave	85QL60C30	10 - 3/4"	6 - 5/8"	12 - 5/8"	2	36.8	81
222	8 3/4	Concave	86QL60C30	10 - 3/4"	6 - 5/8"	12 - 5/8"	2	36.8	81
Foot Valve			9046						



4.5.3 QL80 Shank



Specifications	Metric	Imperial
Minimum Hole Size	200mm	7 7/8"
Number of Splines	16	
Height of Foot Valve Above Strike Face	50.8mm	2.000"
Length of Shank	332mm	13.05"
Bearing Surface Diameter	117.85mm	
Mincon DTH Hammer(s)	MP80	

Diameter		Face Type	Part Number	No. x Button Dia (inch)			Flushing holes	Weight Approx.	
mm	inch			Outer	Inner	Front		Kgs.	Lbs.
200	7 7/8	Concave	77QL80C30	10 - 3/4"	6 - 3/4"	7 - 3/4"	2	49	108
203	8	Flat	80QL80F30	10 - 3/4"	4 - 3/4"	8 - 5/8"	2	49	108
203	8	Concave	80QL80C30	10 - 3/4"	6 - 3/4"	4-3/4" / 4-5/8"	2	49	108
203	8	Concave	80QL80C39	9 - 3/4"	6 - 3/4"	6 - 3/4"	3	49	108
203	8	Convex	80QL80V39	9 - 3/4"	6 - 3/4"	6 - 3/4"	3	49	108
210	8 1/4	Concave	82QL80C30	10 - 3/4"	4 - 3/4"	4-3/4" / 4-5/8"	2	50.8	112
210	8 1/4	Concave	82QL80C39	9 - 3/4"	6 - 3/4"	6 - 3/4"	3	50.8	112
216	8 1/2	Concave	84QL80C332	12 - 3/4"	8 - 3/4"	8 - 3/4"	3	52.2	115
216	8 1/2	Flat	84QL80F30	10 - 3/4"	8 - 3/4"	8 - 3/4"	2	52.2	115
219	8 5/8	Concave	85QL80C30	10 - 3/4"	6 - 3/4"	4-3/4" / 6-5/8"	2	52.7	116
222	8 3/4	Concave	86QL80C333	10 - 3/4"	8 - 3/4"	8 - 3/4"	2	53.6	118
225	8 7/8	Concave	87QL80C32D	12 - 3/4"	6 - 3/4"	8 - 3/4"	2	54.9	121
225	8 7/8	Convex	87QL80V30	10 - 3/4"	6 - 3/4"	10 - 3/4"	2	54.9	121
229	9	Concave	90QL80C32	12 - 3/4"	9 - 3/4"	9 - 3/4"	3	53.6	118
235	9 1/4	Concave	92QL80C30	10 - 3/4"	6 - 3/4"	4-3/4" / 6-5/8"	2	56.3	124
235	9 1/4	Concave	92QL80C32	12 - 3/4"	9 - 3/4"	9 - 3/4"	3	56.3	124
241	9 1/2	Concave	94QL80C32	12 - 3/4"	9 - 3/4"	13 - 3/4"	3	59.5	131
241	9 1/2	Convex	94QL80V32	12 - 3/4"	9 - 3/4"	14 - 3/4"	3	59.5	131
248	9 3/4	Concave	96QL80C30	10 - 3/4"	6 - 3/4"	4-3/4" / 6-5/8"	2	62.2	137
248	9.75	Concave	96QL80C32	12 - 3/4"	6 - 3/4"	13 - 3/4"	3	62.2	137
251	9.875	Concave	97QL80C332	12 - 3/4"	9 - 3/4"	13 - 3/4"	3	64.9	143
254	10	Concave	10QL80C332	12 - 3/4"	9 - 3/4"	13 - 3/4"	3	65.8	145
254	10	Flat	10QL80F32	12 - 3/4"	6 - 3/4"	13 - 3/4"	3	65.8	145
260	10 1/4	Concave	102QL80C30	10 - 3/4"	6 - 3/4"	4-3/4" / 6-5/8"	2	67.6	149
260	10 1/2	Concave	104QL80C30	10 - 3/4"	6 - 3/4"	6-3/4" / 6-5/8"	2	69	152
270	10 5/8	Concave	105QL80C32	12 - 3/4"	9 - 3/4"	14 - 3/4"	3	69.5	153
273	10.75	Concave	106QL80C30	10 - 3/4"	6 - 3/4"	8-3/4" / 6-5/8"	2	70.4	155
279	11	Concave	11QL80C332	12 - 3/4"	6 - 3/4"	15 - 3/4"	3	71.7	158
286	11 1/4	Concave	112QL80C32	12 - 3/4"	6 - 3/4"	15 - 3/4"	3	73.1	161
292	11 1/2	Concave	114QL80C32	12 - 3/4"	6 - 3/4"	19 - 3/4"	3	74.9	165
298	11 3/4	Concave	116QL80C32	12 - 3/4"	6 - 3/4"	19 - 3/4"	3	75.8	167
302	11 7/8	Concave	117QL80C32	12 - 3/4"	6 - 3/4"	19 - 3/4"	3	77.2	170
305	12	Concave	12QL80C32	12 - 3/4"	6 - 3/4"	19 - 3/4"	3	79	174
311	12 1/4	Concave	122QL80C32	12 - 3/4"	6 - 3/4"	19 - 3/4"	3	80.4	177
Foot Valve			9060						



4.5.4 QL120 Shank



Specifications	Metric	Imperial
Minimum Hole Size	302mm	11 7/8"
Number of Splines	16	
Height of Foot Valve Above Strike Face	70.4mm	2.770"
Length of Shank	180.9mm	7.12"
Bearing Surface Diameter	187.27mm	
Mincon DTH Hammer(s)	XP120QL	

Diameter		Face Type	Part Number	No. x Button Dia (inch)			Flushing holes	Weight Approx.	
mm	inch			Outer	Inner	Front		Kgs.	Lbs.
302	11 7/8"	Concave	117QL120C32	12 - 3/4"	6 - 3/4"	19- 3/4"	3	181.1	399
305	12	Concave	12QL120C32	12 - 3/4"	6 - 3/4"	19- 3/4"	3	184.3	406
305	12	Flat	12QL120F32	12 - 3/4"	6 - 3/4"	19- 3/4"	3	184.3	406
311	12.25	Concave	122QL120C32	12 - 3/4"	6 - 3/4"	19- 3/4"	3	189.3	417
311	12 1/4	Flat	122QL120F32	12 - 3/4"	6 - 3/4"	19- 3/4"	3	189.3	417
317	12 1/2	Concave	124QL120C32	12 - 3/4"	6 - 3/4"	19- 3/4"	3	190.2	419
317	12 1/2	Flat	124QL120F32	12 - 3/4"	6 - 3/4"	19- 3/4"	3	190.2	419
327	12 7/8	Concave	127QL120C32	12 - 3/4"	6 - 3/4"	21- 3/4"	3	193.9	427
327	12 7/8	FF	127QL120F32	12 - 3/4"	6 - 3/4"	21- 3/4"	3	193.9	427
330	13	Concave	13QL120C32	12 - 3/4"	6 - 3/4"	19- 3/4"	3	195.7	431
330	13	Flat	13QL120F32	12 - 3/4"	6 - 3/4"	19- 3/4"	3	195.7	431
349	13 3/4	Concave	136QL120C32	12 - 3/4"	9 - 3/4"	34 - 3/4"	3	203.8	449
349	13 3/4	Flat	136QL120F32	12 - 3/4"	9 - 3/4"	34 - 3/4"	3	203.8	449
355	14	Concave	14QL120C32	12 - 3/4"	9 - 3/4"	34 - 3/4"	3	222.9	491
355	14	Flat	14QL120F32	12 - 3/4"	9 - 3/4"	34 - 3/4"	3	222.9	491
381	15	Concave	15QL120C35	15 - 3/4"	12 - 3/4"	35 - 3/4"	3	236.5	521
381	15	Flat	15QL120F35	15 - 3/4"	12 - 3/4"	35 - 3/4"	3	236.5	521
394	15 1/2	Concave	154QL120C35	15 - 3/4"	12 - 3/4"	35 - 3/4"	3	244.3	538
394	15 1/2	Flat	154QL120F35	15 - 3/4"	12 - 3/4"	35 - 3/4"	3	244.3	538
400	15.75	Concave	156QL120C35	15 - 3/4"	12 - 3/4"	35 - 3/4"	3	246.1	542
400	15.75	Flat	156QL120F35	15 - 3/4"	12 - 3/4"	35 - 3/4"	3	246.1	542
406	16	Concave	16QL120C35	15 - 3/4"	12 - 3/4"	35 - 3/4"	3	248.3	547
406	16	Flat	16QL120F35	15 - 3/4"	12 - 3/4"	35 - 3/4"	3	248.3	547
419	16 1/2	Concave	164QL120C35	15 - 3/4"	12 - 3/4"	35 - 3/4"	3	251.1	553
419	16 1/2	Flat	164QL120F35	15 - 3/4"	12 - 3/4"	35 - 3/4"	3	251.1	553
432	17	Concave	17QL120C38	18 - 3/4"	12 - 3/4"	51- 3/4"	3	280.6	618
432	17	Flat	17QL120F38	18 - 3/4"	12 - 3/4"	51- 3/4"	3	280.6	618
438	17.25	Concave	172QL120C38	18 - 3/4"	12 - 3/4"	51- 3/4"	3	281.9	621
444	17 1/2	Concave	174QL120C38	18 - 3/4"	12 - 3/4"	51- 3/4"	3	283.3	624
444	17 1/2	Flat	174QL120F38	18 - 3/4"	12 - 3/4"	51- 3/4"	3	283.3	624
457	18	Concave	18QL120C38	18 - 3/4"	12 - 3/4"	54 - 3/4"	3	286.9	632
457	18	Flat	18QL120F38	18 - 3/4"	12 - 3/4"	54 - 3/4"	3	286.9	632
Foot Valve			9071						
Drive Pin			MD1218DP01						



4.6 DHD Range

4.6.1 DHD3.5 Shank



Specifications	Metric	Imperial
Minimum Hole Size	85mm	3 3/8"
Number of Splines	8	
Height of Foot Valve Above Strike Face	58.4mm	2.300"
Length of Shank	181mm	7.11"
Bearing Surface Diameter	N/A	
Mincon DTH Hammer(s)	3, 3.5	

Diameter		Face Type	Part Number	No. x Button Dia (inch)			Flushing holes	Weight Approx.	
mm	inch			Outer	Inner	Front		Kgs.	Lbs.
90	3 1/2	Concave	34IR35C76	6 - 7/16"	3 - 7/16"	3 - 7/16"	2	5	11
90	3.5	Flat Face	34IR35F76	6 - 7/16"		6 - 7/16"	2	5	11
90	3.5	Convex	34IR35V77	7 - 7/16"	3 - 7/16"	3 - 7/16"	2	5	11
92	3.625	Convex	35IR35V77	7 - 7/16"	3 - 7/16"	3 - 7/16"	2	5	11
95	3 3/4	Concave	36IR35C78	7 - 7/16"	4 - 7/16"	2 - 7/16"	2	5	11
95	3 3/4	Flat Face	36IR35F18	8 - 1/2"		6 - 7/16"	2	5	11
95	3 3/4	Convex	36IR35V17	7 - 1/2"	3 - 1/2"	2 - 1/2"	2	5	11
98	3 7/8	Concave	37IR35C78	8 - 7/16"	4 - 7/16"	2 - 7/16"	2	5.9	13
98	3 7/8	Flat Face	37IR35F96	6 - 9/16"		6 - 1/2"	2	5.9	13
98	3 7/8	Convex	37IR35V78	8 - 7/16"	4 - 7/16"	4 - 7/16"	2	5.9	13
102	4	Concave	40IR35C78	8 - 7/16"	4 - 7/16"	4 - 7/16"	2	6.4	14
102	4	Flat Face	40IR35F78	8 - 7/16"		7 - 7/16"	2	6.4	14
105	4 1/8	Concave	41IR35C78	8 - 7/16"	4 - 7/16"	4 - 7/16"	2	6.8	15
105	4 1/8	Convex	41IR35V78	8 - 7/16"	4 - 7/16"	4 - 7/16"	2	6.8	15
Foot Valve			9079						





4.6.2 DHD4340A Shank



Specifications	Metric	Imperial
Minimum Hole Size	105mm	4 1/8"
Number of Splines	8	
Height of Foot Valve Above Strike Face	55.8mm	2.200"
Length of Shank	210mm	8.25"
Bearing Surface Diameter	N/A	
Mincon DTH Hammer(s)	4HR	

Diameter		Face Type	Part Number	No. x Button Dia (inch)			Flushing holes	Weight Approx.	
mm	inch			Outer	Inner	Front		Kgs.	Lbs.
102	4	Concave	40340AC18	8 - 1/2"	4 - 1/2"	2 - 1/2"	2	9.1	20
105	4.125	Concave	41340AC18	8 - 1/2"	4 - 1/2"	2 - 1/2"	2	9.1	20
108	4.25	Concave	42340AC18	8 - 1/2"	4 - 1/2"	2 - 1/2"	2	9.1	20
115	4.5	Concave	44340AC98	8 - 9/16"	4 - 1/2"	3 - 1/2"	2	10	22
115	4 1/2	Flat Face	44340AF98	8 - 9/16"		7 - 1/2"	2	10	22
115	4 1/2	Convex	44340AV98	8 - 9/16"		8 - 1/2"	2	10	22
120	4 3/4	Concave	46340AC98	8 - 9/16"	4 - 1/2"	3 - 1/2"	2	10.9	24
120	4 3/4	Flat Face	46340AF98	8 - 9/16"		7 - 1/2"	2	10.9	24
120	4 3/4	Convex	46340AV98	8 - 9/16"		8 - 1/2"	2	10.9	24
124	4 7/8	Concave	47340AC98	8 - 9/16"	4 - 1/2"	3 - 1/2"	2	11.4	25
127	5	Concave	50340AC98	8 - 9/16"	4 - 1/2"	3 - 1/2"	2	11.8	26
127	5	Convex	50340AV99	9 - 9/16"	5 - 1/2"	4 - 1/2"	3	11.8	26
130	5 1/8	Concave	51340AC98	8 - 9/16"	4 - 1/2"	3 - 1/2"	2	12.3	27
133	5 1/4	Concave	52340AC98	8 - 9/16"	4 - 1/2"	3 - 1/2"	2	12.7	28
Foot Valve			9025						



4.6.3 DHD 350R Shank



Specifications	Metric	Imperial
Minimum Hole Size	130mm	5"
Number of Splines	8	
Height of Foot Valve Above Strike Face	66.0mm	2.600"
Length of Shank	260mm	10.24"
Bearing Surface Diameter	N/A	
Mincon DTH Hammer(s)	55BH, 5DH	

Diameter		Face Type	Part Number	No. x Button Dia (inch)			Flushing holes	Weight Approx.	
mm	inch			Outer	Inner	Front		Kgs.	Lbs.
127	5	Concave	50350RC58	8 - 5/8"	4 - 1/2"	3 - 1/2"	2	15.9	35
130	5.125	Concave	51350RC58	8 - 5/8"	4 - 1/2"	3 - 1/2"	2	15.9	35
133	5.25	Concave	52350RC58	8 - 5/8"	4 - 9/16"	3 - 9/16"	2	16.3	36
140	5.5	Concave	54350RC58	8 - 5/8"	4 - 9/16"	4 - 9/16"	2	17.3	38
140	5 1/2	Flat Face	54350RF58	8 - 5/8"		7 - 5/8"	2	17.3	38
140	5 1/2	Convex	54350RV59	9 - 5/8"	6 - 9/16"	4 - 9/16"	3	17.3	38
146	5 3/4	Concave	56350RC58	8 - 5/8"	4 - 5/8"	4 - 5/8"	2	17.7	39
146	5 3/4	Flat Face	56350RF58	8 - 5/8"		8 - 5/8"	2	17.7	39
140	5 3/4	Convex	56350RV59	9 - 5/8"	3 - 5/8"	5 - 5/8"	3	17.7	39
149	5 7/8	Concave	60350RC58	8 - 5/8"	4 - 5/8"	4 - 5/8"	2	18.6	41
152	6	Concave	60350RC58	8 - 5/8"	4 - 5/8"	4 - 5/8"	2	18.6	41
Foot Valve			9032						





4.6.4 DHD360 Shank



Specifications	Metric	Imperial
Minimum Hole Size	149mm	5 7/8"
Number of Splines	8	
Height of Foot Valve Above Strike Face	47.2mm	1.860"
Length of Shank	308mm	12.12"
Bearing Surface Diameter	87.10mm	
Mincon DTH Hammer(s)	6DH360	

Diameter		Face Type	Part Number	No. x Button Dia (inch)			Flushing holes	Weight Approx.	
mm	inch			Outer	Inner	Front		Kgs.	Lbs.
150	5 7/8	Concave	57I360C58	8 - 5/8"	4 - 5/8"	4 - 5/8"	2	24.5	54
152	6	Concave	60I360C58	8 - 5/8"	4 - 5/8"	4 - 5/8"	2	24.5	54
152	6	Concave	60I360F58	8 - 5/8"		8 - 5/8"	2	24.5	54
156	6.125	Concave	61I360C58	8 - 5/8"	4 - 5/8"	4 - 5/8"	2	24.5	54
156	6 1/8	Flat Face	61I360F58	8 - 5/8"		8 - 5/8"	2	24.5	54
159	6 1/4	Concave	62I360C58	8 - 5/8"	4 - 5/8"	4 - 5/8"	2	25	55
159	6 1/4	Flat Face	62I360F58	8 - 5/8"		8 - 5/8"	2	25	55
165	6 1/2	Concave	64I360C58	8 - 5/8"	4 - 5/8"	4 - 5/8"	2	25.4	56
165	6 1/2	Flat Face	64I360F58	8 - 5/8"		10 - 5/8"	2	25.4	56
165	6 1/2	Concave	64I360C38	8 - 3/4"	4 - 5/8"	4 - 5/8"	2	25.9	57
165	6 1/2	Flat Face	64I360F38	8 - 3/4"		8 - 5/8"	2	25.9	57
171	6 3/4	Concave	66I360C58	8 - 5/8"	4 - 5/8"	4 - 5/8"	2	26.3	58
171	6 3/4	Flat Face	66I360F58	8 - 5/8"		10 - 5/8"	2	26.3	58
171	6 3/4	Concave	66I360C38	8 - 3/4"	4 - 5/8"	4 - 5/8"	2	26.8	59
171	6 3/4	Flat Face	66I360F38	8 - 3/4"		10 - 5/8"	2	26.8	59
178	7	Concave	70I360C39	9 - 3/4"	6 - 5/8"	5 - 5/8"	3	28.1	62
178	7	Flat Face	70I360F50	10 - 5/8"		12 - 5/8"	2	28.1	62
184	7 1/4	Concave	72I360C50	10 - 5/8"	8 - 5/8"	6 - 5/8"	2	29.5	65
184	7 1/4	Flat Face	72I360F30	10 - 3/4"	6 - 5/8"	8 - 5/8"	2	29.5	65
190	7.5	Concave	74I360C38	8-3/4"	4-3/4"	6 - 5/8"	2	30.4	67
200	7.875	Concave	77I360C50	10 - 5/8"	4 - 5/8"	8 - 5/8"	2	33.6	74
203	8	Concave	80I360C30	10 - 3/4"	6 - 3/4"	7 - 3/4"	2	34.1	75
216	8 1/2	Concave	84I360C30	10 - 3/4"	7 - 5/8"	12 - 5/8"	2	38.1	84
219	8 5/8	Concave	85I360C50	10 - 5/8"	4 - 5/8"	12 - 5/8"	2	38.1	84
222	8 3/4	Concave	86I360C50	10 - 5/8"	4 - 5/8"	12 - 5/8"	2	38.6	85
Foot Valve			9036						



4.6.5 DHD380 Shank



Specifications	Metric	Imperial
Minimum Hole Size	200mm	7 7/8"
Number of Splines		10
Height of Foot Valve Above Strike Face	49.5mm	1.950"
Length of Shank	350mm	13.78"
Bearing Surface Diameter		N/A
Mincon DTH Hammer(s)		8DH

Diameter		Face Type	Part Number	No. x Button Dia (inch)			Flushing holes	Weight Approx.	
mm	inch			Outer	Inner	Front		Kgs.	Lbs.
200	7 7/8	Concave	77I380C30	10 - 3/4"	6 - 3/4"	7 - 3/4"	2	49	108
203	8	Flat	80I380F30	10 - 3/4"	4 - 3/4"	8 - 5/8"	2	49	108
203	8	Concave	80I380C30	10 - 3/4"	6 - 3/4"	4-3/4" / 4-5/8"	2	49	108
203	8	Concave	80I380C39	9 - 3/4"	6 - 3/4"	6 - 3/4"	3	49	108
203	8	Convex	80I380V39	9 - 3/4"	6 - 3/4"	6 - 3/4"	3	49	108
210	8 1/4	Concave	82I380C30	10 - 3/4"	4 - 3/4"	4-3/4" / 4-5/8"	2	50.8	112
210	8 1/4	Concave	82I380C39	9 - 3/4"	6 - 3/4"	6 - 3/4"	3	50.8	112
216	8 1/2	Concave	84I380C332	12 - 3/4"	8 - 3/4"	8 - 3/4"	3	52.2	115
216	8 1/2	Flat	84I380F30	10 - 3/4"	8 - 3/4"	8 - 3/4"	2	52.2	115
219	8 5/8	Concave	85I380C30	10 - 3/4"	6 - 3/4"	4-3/4" / 6-5/8"	2	52.7	116
222	8 3/4	Concave	86I380C333	10 - 3/4"	8 - 3/4"	8 - 3/4"	2	53.6	118
225	8 7/8	Concave	87I380C32D	12 - 3/4"	6 - 3/4"	8 - 3/4"	2	54.9	121
225	8 7/8	Convex	87I380V30	10 - 3/4"	6 - 3/4"	10 - 3/4"	2	54.9	121
229	9	Concave	90I380C32	12 - 3/4"	9 - 3/4"	9 - 3/4"	3	53.6	118
235	9 1/4	Concave	92I380C30	10 - 3/4"	6 - 3/4"	4-3/4" / 6-5/8"	2	56.3	124
235	9 1/4	Concave	92I380C32	12 - 3/4"	9 - 3/4"	9 - 3/4"	3	56.3	124
241	9 1/2	Concave	94I380C32	12 - 3/4"	9 - 3/4"	13 - 3/4"	3	59.5	131
241	9 1/2	Convex	94I380V32	12 - 3/4"	9 - 3/4"	14 - 3/4"	3	59.5	131
248	9 3/4	Concave	96I380C30	10 - 3/4"	6 - 3/4"	4-3/4" / 6-5/8"	2	62.2	137
248	9.75	Concave	96I380C32	12 - 3/4"	6 - 3/4"	13 - 3/4"	3	62.2	137
251	9.875	Concave	97I380C332	12 - 3/4"	9 - 3/4"	13 - 3/4"	3	64.9	143
254	10	Concave	10I380C332	12 - 3/4"	9 - 3/4"	13 - 3/4"	3	65.8	145
254	10	Flat	10I380F32	12 - 3/4"	6 - 3/4"	13 - 3/4"	3	65.8	145
260	10 1/4	Concave	102I380C30	10 - 3/4"	6 - 3/4"	4-3/4" / 6-5/8"	2	67.6	149
260	10 1/2	Concave	104I380C30	10 - 3/4"	6 - 3/4"	6-3/4" / 6-5/8"	2	69	152
270	10 5/8	Concave	105I380C32	12 - 3/4"	9 - 3/4"	14 - 3/4"	3	69.5	153
273	10.75	Concave	106I380C30	10 - 3/4"	6 - 3/4"	8-3/4" / 6-5/8"	2	70.4	155
279	11	Concave	11I380C332	12 - 3/4"	6 - 3/4"	15 - 3/4"	3	71.7	158
286	11 1/4	Concave	112I380C32	12 - 3/4"	6 - 3/4"	15 - 3/4"	3	73.1	161
292	11 1/2	Concave	114I380C32	12 - 3/4"	6 - 3/4"	19 - 3/4"	3	74.9	165
298	11 3/4	Concave	116I380C32	12 - 3/4"	6 - 3/4"	19 - 3/4"	3	75.8	167
302	11 7/8	Concave	117I380C32	12 - 3/4"	6 - 3/4"	19 - 3/4"	3	77.2	170
305	12	Concave	12I380C32	12 - 3/4"	6 - 3/4"	19 - 3/4"	3	79	174
311	12 1/4	Concave	122I380C32	12 - 3/4"	6 - 3/4"	19 - 3/4"	3	80.4	177
Foot Valve			9041						



4.7 SD Range

4.7.1 SD4 Shank



Specifications	Metric	Imperial
Minimum Hole Size	105mm	4 1/8"
Number of Splines	8	
Height of Foot Valve Above Strike Face	51.7mm	2.035"
Length of Shank	260mm	10.25"
Bearing Surface Diameter	N/A	
Mincon DTH Hammer(s)	4HRSD	

Diameter		Face Type	Part Number	No. x Button Dia (inch)			Flushing holes	Weight Approx.	
mm	inch			Outer	Inner	Front		Kgs.	Lbs.
102	4	Concave	403415C18	8 - 1/2"	4 - 1/2"	2 - 1/2"	2	9.5	21
105	4 1/8	Concave	413415C18	8 - 1/2"	4 - 1/2"	2 - 1/2"	2	9.5	21
108	4 1/4	Concave	423415C18	8 - 1/2"	4 - 1/2"	2 - 1/2"	2	9.5	21
115	4 1/2	Concave	443415C98	8 - 9/16"	4 - 1/2"	3 - 1/2"	2	10.4	23
115	4 1/2	Flat Face	443415F98	8 - 9/16"		7 - 1/2"	2	10.4	23
120	4 3/4	Concave	463415C98	8 - 9/16"	4 - 1/2"	3 - 1/2"	2	11.4	25
120	4 3/4	Flat Face	463415F98	8 - 9/16"		7 - 1/2"	2	11.4	25
124	4 7/8	Concave	473415C98	8 - 9/16"	4 - 1/2"	3 - 1/2"	2	11.8	26
127	5	Concave	503415C98	8 - 9/16"	4 - 1/2"	3 - 1/2"	2	12.3	27
130	5 1/8	Concave	513415C98	8 - 9/16"	4 - 1/2"	3 - 1/2"	2	12.7	28
133	5 1/4	Concave	523415C98	8 - 9/16"	4 - 1/2"	3 - 1/2"	2	13.2	29
Foot Valve			9009						





4.7.2 SD5 Shank



Specifications	Metric	Imperial
Minimum Hole Size	130mm	5"
Number of Splines	8	
Height of Foot Valve Above Strike Face	54.4mm	2.140"
Length of Shank	260mm	10.24"
Bearing Surface Diameter	N/A	
Mincon DTH Hammer(s)	MP55SD	

Diameter		Face Type	Part Number	No. x Button Dia (inch)			Flushing holes	Weight Approx.	
mm	inch			Outer	Inner	Front		Kgs.	Lbs.
127	5	Concave	504315C58	8 - 5/8"	4 - 1/2"	3 - 1/2"	2	15.9	35
130	5.125	Concave	514315C58	8 - 5/8"	4 - 1/2"	3 - 1/2"	2	15.9	35
133	5.25	Concave	524315C58	8 - 5/8"	4 - 9/16"	3 - 9/16"	2	16.3	36
140	5.5	Concave	544315C58	8 - 5/8"	4 - 9/16"	4 - 9/16"	2	17.3	38
140	5 1/2	Flat Face	544315F58	8 - 5/8"		7 - 5/8"	2	17.3	38
140	5 1/2	Convex	544315V59	9 - 5/8"	6 - 9/16"	4 - 9/16"	3	17.3	38
146	5 3/4	Concave	564315C58	8 - 5/8"	4 - 5/8"	4 - 5/8"	2	17.7	39
146	5 3/4	Flat Face	564315F58	8 - 5/8"		8 - 5/8"	2	17.7	39
140	5 3/4	Convex	564315V59	9 - 5/8"	3 - 5/8"	5 - 5/8"	3	17.7	39
149	5 7/8	Concave	604315C58	8 - 5/8"	4 - 5/8"	4 - 5/8"	2	18.6	41
152	6	Concave	604315C58	8 - 5/8"	4 - 5/8"	4 - 5/8"	2	18.6	41
127	5	Concave	504315C58	8 - 5/8"	4 - 1/2"	3 - 1/2"	2	15.9	35
130	5.125	Concave	514315C58	8 - 5/8"	4 - 1/2"	3 - 1/2"	2	15.9	35
133	5.25	Concave	524315C58	8 - 5/8"	4 - 9/16"	3 - 9/16"	2	16.3	36
140	5.5	Concave	544315C58	8 - 5/8"	4 - 9/16"	4 - 9/16"	2	17.3	38
140	5 1/2	Flat Face	544315F58	8 - 5/8"		7 - 5/8"	2	17.3	38
140	5 1/2	Convex	544315V59	9 - 5/8"	6 - 9/16"	4 - 9/16"	3	17.3	38
146	5 3/4	Concave	564315C58	8 - 5/8"	4 - 5/8"	4 - 5/8"	2	17.7	39
146	5 3/4	Flat Face	564315F58	8 - 5/8"		8 - 5/8"	2	17.7	39
140	5 3/4	Convex	564315V59	9 - 5/8"	3 - 5/8"	5 - 5/8"	3	17.7	39
149	5 7/8	Concave	604315C58	8 - 5/8"	4 - 5/8"	4 - 5/8"	2	18.6	41
152	6	Concave	604315C58	8 - 5/8"	4 - 5/8"	4 - 5/8"	2	18.6	41
Foot Valve			9008						



4.7.3 SD6 Shank



Specifications	Metric	Imperial
Minimum Hole Size	149mm	5 7/8"
Number of Splines	8	
Height of Foot Valve Above Strike Face	54.1mm	2.130"
Length of Shank	324mm	12.75"
Bearing Surface Diameter	N/A	
Mincon DTH Hammer(s)	6DHSD	

Diameter		Face Type	Part Number	No. x Button Dia (inch)			Flushing holes	Weight Approx.	
mm	inch			Outer	Inner	Front		Kgs.	Lbs.
150	5 7/8	Concave	575315C58	8 - 5/8"	4 - 5/8"	4 - 5/8"	2	24.5	54
152	6	Concave	605315C58	8 - 5/8"	4 - 5/8"	4 - 5/8"	2	24.5	54
152	6	Concave	605315F58	8 - 5/8"		8 - 5/8"	2	24.5	54
156	6.125	Concave	615315C58	8 - 5/8"	4 - 5/8"	4 - 5/8"	2	24.5	54
156	6 1/8	Flat Face	615315F58	8 - 5/8"		8 - 5/8"	2	24.5	54
159	6 1/4	Concave	625315C58	8 - 5/8"	4 - 5/8"	4 - 5/8"	2	25	55
159	6 1/4	Flat Face	625315F58	8 - 5/8"		8 - 5/8"	2	25	55
165	6 1/2	Concave	645315C58	8 - 5/8"	4 - 5/8"	4 - 5/8"	2	25.4	56
165	6 1/2	Flat Face	645315F58	8 - 5/8"		10 - 5/8"	2	25.4	56
165	6 1/2	Concave	645315C38	8 - 3/4"	4 - 5/8"	4 - 5/8"	2	25.9	57
165	6 1/2	Flat Face	645315F38	8 - 3/4"		8 - 5/8"	2	25.9	57
171	6 3/4	Concave	665315C58	8 - 5/8"	4 - 5/8"	4 - 5/8"	2	26.3	58
171	6 3/4	Flat Face	665315F58	8 - 5/8"		10 - 5/8"	2	26.3	58
171	6 3/4	Concave	665315C38	8 - 3/4"	4 - 5/8"	4 - 5/8"	2	26.8	59
171	6 3/4	Flat Face	665315F38	8 - 3/4"		10 - 5/8"	2	26.8	59
178	7	Concave	705315C39	9 - 3/4"	6 - 5/8"	5 - 5/8"	3	28.1	62
178	7	Flat Face	705315F50	10 - 5/8"		12 - 5/8"	2	28.1	62
184	7 1/4	Concave	725315C50	10 - 5/8"	8 - 5/8"	6 - 5/8"	2	29.5	65
184	7 1/4	Flat Face	725315F30	10 - 3/4"	6 - 5/8"	8 - 5/8"	2	29.5	65
190	7.5	Concave	745315C38	8-3/4"	4-3/4"	6 - 5/8"	2	30.4	67
200	7.875	Concave	775315C50	10 - 5/8"	4 - 5/8"	8 - 5/8"	2	33.6	74
203	8	Concave	805315C30	10 - 3/4"	6 - 3/4"	7 - 3/4"	2	34.1	75
216	8 1/2	Concave	845315C30	10 - 3/4"	7 - 5/8"	12 - 5/8"	2	38.1	84
219	8 5/8	Concave	855315C50	10 - 5/8"	4 - 5/8"	12 - 5/8"	2	38.1	84
222	8 3/4	Concave	865315C50	10 - 5/8"	4 - 5/8"	12 - 5/8"	2	38.6	85
Foot Valve			9012						



4.7.4 SD8 Shank



Specifications	Metric	Imperial
Minimum Hole Size	200mm	7 7/8"
Number of Splines	8	
Height of Foot Valve Above Strike Face	57.1mm	2.250"
Length of Shank	322mm	12.66"
Bearing Surface Diameter	N/A	
Mincon DTH Hammer(s)	8DHSD	

Diameter		Face Type	Part Number	No. x Button Dia (inch)			Flushing holes	Weight Approx.	
mm	inch			Outer	Inner	Front		Kgs.	Lbs.
200	7 7/8	Concave	776315C30	10 - 3/4"	6 - 3/4"	7 - 3/4"	2	49	108
203	8	Flat	806315F30	10 - 3/4"	4 - 3/4"	8 - 5/8"	2	49	108
203	8	Concave	806315C30	10 - 3/4"	6 - 3/4"	4-3/4" / 4-5/8"	2	49	108
203	8	Concave	806315C39	9 - 3/4"	6 - 3/4"	6 - 3/4"	3	49	108
203	8	Convex	806315V39	9 - 3/4"	6 - 3/4"	6 - 3/4"	3	49	108
210	8 1/4	Concave	826315C30	10 - 3/4"	4 - 3/4"	4-3/4" / 4-5/8"	2	50.8	112
210	8 1/4	Concave	826315C39	9 - 3/4"	6 - 3/4"	6 - 3/4"	3	50.8	112
216	8 1/2	Concave	846315C332	12 - 3/4"	8 - 3/4"	8 - 3/4"	3	52.2	115
216	8 1/2	Flat	846315F30	10 - 3/4"	8 - 3/4"	8 - 3/4"	2	52.2	115
219	8 5/8	Concave	856315C30	10 - 3/4"	6 - 3/4"	4-3/4" / 6-5/8"	2	52.7	116
222	8 3/4	Concave	866315C333	10 - 3/4"	8 - 3/4"	8 - 3/4"	2	53.6	118
225	8 7/8	Concave	876315C32D	12 - 3/4"	6 - 3/4"	8 - 3/4"	2	54.9	121
225	8 7/8	Convex	876315V30	10 - 3/4"	6 - 3/4"	10 - 3/4"	2	54.9	121
229	9	Concave	906315C32	12 - 3/4"	9 - 3/4"	9 - 3/4"	3	53.6	118
235	9 1/4	Concave	926315C30	10 - 3/4"	6 - 3/4"	4-3/4" / 6-5/8"	2	56.3	124
235	9 1/4	Concave	926315C32	12 - 3/4"	9 - 3/4"	9 - 3/4"	3	56.3	124
241	9 1/2	Concave	946315C32	12 - 3/4"	9 - 3/4"	13 - 3/4"	3	59.5	131
241	9 1/2	Convex	946315V32	12 - 3/4"	9 - 3/4"	14 - 3/4"	3	59.5	131
248	9 3/4	Concave	966315C30	10 - 3/4"	6 - 3/4"	4-3/4" / 6-5/8"	2	62.2	137
248	9.75	Concave	966315C32	12 - 3/4"	6 - 3/4"	13 - 3/4"	3	62.2	137
251	9.875	Concave	976315C332	12 - 3/4"	9 - 3/4"	13 - 3/4"	3	64.9	143
254	10	Concave	106315C332	12 - 3/4"	9 - 3/4"	13 - 3/4"	3	65.8	145
254	10	Flat	106315F32	12 - 3/4"	6 - 3/4"	13 - 3/4"	3	65.8	145
260	10 1/4	Concave	1026315C30	10 - 3/4"	6 - 3/4"	4-3/4" / 6-5/8"	2	67.6	149
260	10 1/2	Concave	1046315C30	10 - 3/4"	6 - 3/4"	6-3/4" / 6-5/8"	2	69	152
270	10 5/8	Concave	1056315C32	12 - 3/4"	9 - 3/4"	14 - 3/4"	3	69.5	153
273	10.75	Concave	1066315C30	10 - 3/4"	6 - 3/4"	8-3/4" / 6-5/8"	2	70.4	155
279	11	Concave	116315C332	12 - 3/4"	6 - 3/4"	15 - 3/4"	3	71.7	158
286	11 1/4	Concave	1126315C32	12 - 3/4"	6 - 3/4"	15 - 3/4"	3	73.1	161
292	11 1/2	Concave	1146315C32	12 - 3/4"	6 - 3/4"	19 - 3/4"	3	74.9	165
298	11 3/4	Concave	1166315C32	12 - 3/4"	6 - 3/4"	19 - 3/4"	3	75.8	167
302	11 7/8	Concave	1176315C32	12 - 3/4"	6 - 3/4"	19 - 3/4"	3	77.2	170
305	12	Concave	126315C32	12 - 3/4"	6 - 3/4"	19 - 3/4"	3	79	174
311	12 1/4	Concave	1226315C32	12 - 3/4"	6 - 3/4"	19 - 3/4"	3	80.4	177
Foot Valve			9005						



4.7.5 SD10 Shank



Specifications	Metric	Imperial
Minimum Hole Size	254mm	10"
Number of Splines	8	
Height of Foot Valve Above Strike Face	56.1mm	2.210mm
Length of Shank	355mm	13.98"
Bearing Surface Diameter	N/A	
Mincon DTH Hammer(s)	N/A	

Diameter		Face Type	Part Number	No. x Button Dia (inch)			Flushing holes	Weight Approx.	
mm	inch			Outer	Inner	Front		Kgs.	Lbs.
254	10	Concave	10SD10C32	12 - 3/4"	6 - 3/4"	15 - 3/4"	3	108.1	238
254	10	Flat	10SD10F32	12 - 3/4"	6 - 3/4"	15 - 3/4"	3	108.1	238
276	10 7/8	Concave	107SD10C32	12 - 3/4"	6 - 3/4"	15 - 3/4"	3	110.8	244
276	10 7/8	Flat	107SD10F32	12 - 3/4"	6 - 3/4"	15 - 3/4"	3	110.8	244
279	11	Concave	11SD10C32	12 - 3/4"	6 - 3/4"	15 - 3/4"	3	112.6	248
279	11	Flat	11SD10F32	12 - 3/4"	6 - 3/4"	15 - 3/4"	3	112.6	248
292	11 1/2	Concave	114SD10C32	12 - 3/4"	6 - 3/4"	15 - 3/4"	3	116.7	257
292	11 1/2	Flat	114SD10F32	12 - 3/4"	6 - 3/4"	15 - 3/4"	3	116.7	257
298	11 3/4	Concave	116SD10C32	12 - 3/4"	6 - 3/4"	19 - 3/4"	3	118.9	262
298	11 3/4	Flat	116SD10F32	12 - 3/4"	6 - 3/4"	19 - 3/4"	3	118.9	262
302	11 7/8	Concave	117SD10C32	12 - 3/4"	6 - 3/4"	19 - 3/4"	3	122.1	269
302	11 7/8	Flat	117SD10F32	12 - 3/4"	6 - 3/4"	19 - 3/4"	3	122.1	269
305	12	Concave	12SD10C32	12 - 3/4"	6 - 3/4"	19 - 3/4"	3	124.9	275
305	12	Flat	12SD10F32	12 - 3/4"	6 - 3/4"	19 - 3/4"	3	124.9	275
311	12 1/4	Concave	122SD10C32	12 - 3/4"	6 - 3/4"	19 - 3/4"	3	131.7	290
311	12 1/4	Flat	122SD10F32	12 - 3/4"	6 - 3/4"	19 - 3/4"	3	131.7	290
330	13	Concave	13SD10C32	12 - 3/4"	6 - 3/4"	21 - 3/4"	3	141.6	312
330	13	Flat	13SD10F32	12 - 3/4"	6 - 3/4"	21 - 3/4"	3	141.6	312
336	13 1/4	Concave	132SD10C32	12 - 3/4"	6 - 3/4"	23 - 3/4"	3	143.5	316
336	13.25	Flat	132SD10F32	12 - 3/4"	6 - 3/4"	23 - 3/4"	3	143.5	316
355	14	Concave	14SD10C32	12 - 3/4"	9 - 3/4"	34 - 3/4"	3	150.3	331
355	14	Flat	14SD10F32	12 - 3/4"	9 - 3/4"	34 - 3/4"	3	150.3	331
381	15	Concave	15SD10C35	15 - 3/4"	12 - 3/4"	35 - 3/4"	3	159.8	352
381	15	Flat	15SD10F35	15 - 3/4"	12 - 3/4"	35 - 3/4"	3	159.8	352
Foot Valve			9006						



4.7.6 SD12 Shank



Specifications	Metric	Imperial
Minimum Hole Size	302mm	11 7/8"
Number of Splines	8	
Height of Foot Valve Above Strike Face	43.2mm	1.700"
Length of Shank	470mm	7.12"
Bearing Surface Diameter	N/A	
Mincon DTH Hammer(s)	XP120SD	

Diameter		Face Type	Part Number	No. x Button Dia (inch)			Flushing holes	Weight Approx.	
mm	inch			Outer	Inner	Front		Kgs.	Lbs.
302	11 7/8	Concave	117SD12C32	12 - 3/4"	6 - 3/4"	19- 3/4"	3	171.2	377
305	12	Concave	12SD12C32	12 - 3/4"	6 - 3/4"	19- 3/4"	3	171.6	378
305	12	Flat	12SD12F32	12 - 3/4"	6 - 3/4"	19- 3/4"	3	171.6	378
311	12.25	Concave	122SD12C32	12 - 3/4"	6 - 3/4"	19- 3/4"	3	172.1	379
311	12 1/4	Flat	122SD12F32	12 - 3/4"	6 - 3/4"	19- 3/4"	3	172.1	379
317	12 1/2	Concave	124SD12C32	12 - 3/4"	6 - 3/4"	19- 3/4"	3	174.8	385
317	12 1/2	Flat	124SD12F32	12 - 3/4"	6 - 3/4"	19- 3/4"	3	174.8	385
327	12 7/8	Concave	127SD12C32	12 - 3/4"	6 - 3/4"	21- 3/4"	3	177.1	390
327	12 7/8	FF	127SD12F32	12 - 3/4"	6 - 3/4"	21- 3/4"	3	177.1	390
330	13	Concave	13SD12C32	12 - 3/4"	6 - 3/4"	19- 3/4"	3	181.1	399
330	13	Flat	13SD12F32	12 - 3/4"	6 - 3/4"	19- 3/4"	3	181.1	399
349	13 3/4	Concave	136SD12C32	12 - 3/4"	9 - 3/4"	34 - 3/4"	3	187.5	413
349	13 3/4	Flat	136SD12F32	12 - 3/4"	9 - 3/4"	34 - 3/4"	3	187.5	413
355	14	Concave	14SD12C32	12 - 3/4"	9 - 3/4"	34 - 3/4"	3	190.7	420
355	14	Flat	14SD12F32	12 - 3/4"	9 - 3/4"	34 - 3/4"	3	190.7	420
381	15	Concave	15SD12C35	15 - 3/4"	12 - 3/4"	35 - 3/4"	3	200.2	441
381	15	Flat	15SD12F35	15 - 3/4"	12 - 3/4"	35 - 3/4"	3	200.2	441
394	15 1/2	Concave	154SD12C35	15 - 3/4"	12 - 3/4"	35 - 3/4"	3	202.9	447
394	15 1/2	Flat	154SD12F35	15 - 3/4"	12 - 3/4"	35 - 3/4"	3	202.9	447
400	15.75	Concave	156SD12C35	15 - 3/4"	12 - 3/4"	35 - 3/4"	3	205.2	452
400	15.75	Flat	156SD12F35	15 - 3/4"	12 - 3/4"	35 - 3/4"	3	205.2	452
406	16	Concave	16SD12C35	15 - 3/4"	12 - 3/4"	35 - 3/4"	3	208.8	460
406	16	Flat	16SD12F35	15 - 3/4"	12 - 3/4"	35 - 3/4"	3	208.8	460
419	16 1/2	Concave	164SD12C35	15 - 3/4"	12 - 3/4"	35 - 3/4"	3	212.9	469
419	16 1/2	Flat	164SD12F35	15 - 3/4"	12 - 3/4"	35 - 3/4"	3	212.9	469
432	17	Concave	17SD12C38	18 - 3/4"	12 - 3/4"	51- 3/4"	3	217.5	479
432	17	Flat	17SD12F38	18 - 3/4"	12 - 3/4"	51- 3/4"	3	217.5	479
438	17.25	Concave	172SD12C38	18 - 3/4"	12 - 3/4"	51- 3/4"	3	222	489
444	17 1/2	Concave	174SD12C38	18 - 3/4"	12 - 3/4"	51- 3/4"	3	224.7	495
444	17 1/2	Flat	174SD12F38	18 - 3/4"	12 - 3/4"	51- 3/4"	3	224.7	495
457	18	Concave	18SD12C38	18 - 3/4"	12 - 3/4"	54 - 3/4"	3	236.1	520
457	18	Flat	18SD12F38	18 - 3/4"	12 - 3/4"	54 - 3/4"	3	236.1	520
Foot Valve			9002						



4.8 MD Range

4.8.1 MD3.5 Shank



Specifications	Metric	Imperial
Minimum Hole Size	130mm	5"
Number of Splines	8	
Height of Foot Valve Above Strike Face	58.4mm	2.300"
Length of Shank	181mm	7.11"
Bearing Surface Diameter	N/A	
Mincon DTH Hammer(s)	MP35	

Diameter		Face Type	Part Number	No. x Button Dia (inch)			Flushing holes	Weight Approx.	
mm	inch			Outer	Inner	Front		Kgs.	Lbs.
95	3 3/4	Concave	36MD35C78	7 - 7/16"	4 - 7/16"	2 - 7/16"	2	5	11
95	3.75	Flat Face	36MD35F18	8 - 1/2"		6 - 7/16"	2	5	11
95	3.75	Convex	36MD35V17	7 - 1/2"	3 - 1/2"	2 - 1/2"	2	5	11
98	3.875	Concave	37MD35C78	8 - 7/16"	4 - 7/16"	2 - 7/16"	2	5.9	13
98	3 7/8	Flat Face	37MD35F96	6 - 9/16"		6 - 1/2"	2	5.9	13
98	3 7/8	Convex	37MD35V78	8 - 7/16"	4 - 7/16"	4 - 7/16"	2	5.9	13
102	4	Concave	40MD35C78	8 - 7/16"	4 - 7/16"	4 - 7/16"	2	6.4	14
102	4	Flat Face	40MD35F78	8 - 7/16"		7 - 7/16"	2	6.4	14
105	4 1/8	Concave	41MD35C78	8 - 7/16"	4 - 7/16"	4 - 7/16"	2	6.8	15
105	4 1/8	Convex	41MD35V78	8 - 7/16"	4 - 7/16"	4 - 7/16"	2	6.8	15
Foot Valve			9079						





4.8.2 MD4 Shank



Specifications	Metric	Imperial
Minimum Hole Size	110mm	4 3/8"
Number of Splines	10	
Height of Foot Valve Above Strike Face	55.8mm	2.200"
Length of Shank	210mm	8.25"
Bearing Surface Diameter	N/A	
Mincon DTH Hammer(s)	4HDS	

Diameter		Face Type	Part Number	No. x Button Dia (inch)			Flushing holes	Weight Approx.	
mm	inch			Outer	Inner	Front		Kgs.	Lbs.
108	4 1/4	Concave	42MD40C18	8 - 1/2"	4 - 1/2"	2 - 1/2"	2	9.1	20
115	4 1/2	Concave	44MD40C98	8 - 9/16"	4 - 1/2"	3 - 1/2"	2	10	22
115	4 1/2	Flat Face	44MD40F98	8 - 9/16"		7 - 1/2"	2	10	22
115	4 1/2	Convex	44MD40V98	8 - 9/16"		8 - 1/2"	2	10	22
120	4 3/4	Concave	46MD40C98	8 - 9/16"	4 - 1/2"	3 - 1/2"	2	10.9	24
120	4 3/4	Flat Face	46MD40F98	8 - 9/16"		7 - 1/2"	2	10.9	24
120	4 3/4	Convex	46MD40V98	8 - 9/16"		8 - 1/2"	2	10.9	24
124	4 7/8	Concave	47MD40C98	8 - 9/16"	4 - 1/2"	3 - 1/2"	2	11.4	25
127	5	Concave	50MD40C98	8 - 9/16"	4 - 1/2"	3 - 1/2"	2	11.8	26
127	5	Convex	50MD40V99	9 - 9/16"	5 - 1/2"	4 - 1/2"	3	11.8	26
130	5 1/8	Concave	51MD40C98	8 - 9/16"	4 - 1/2"	3 - 1/2"	2	12.3	27
133	5 1/4	Concave	52MD40C98	8 - 9/16"	4 - 1/2"	3 - 1/2"	2	12.7	28
Foot Valve			9025						



4.9 TD Range

4.9.1 TD40



Specifications	Metric	Imperial
Minimum Hole Size	110mm	4 3/8"
Number of Splines	12	
Height of Foot Valve Above Strike Face	57.3mm	2.256"
Length of Shank	209mm	8.23"
Bearing Surface Diameter	N/A	
Mincon DTH Hammer(s)	4HRTD	

Diameter		Face Type	Part Number	No. x Button Dia (inch)			Flushing holes	Weight Approx.	
mm	inch			Outer	Inner	Front		Kgs.	Lbs.
108	4 1/4	Concave	42TD40C18	8 - 1/2"	4 - 1/2"	2 - 1/2"	2	9.1	20
115	4 1/2	Concave	44TD40C98	8 - 9/16"	4 - 1/2"	3 - 1/2"	2	10	22
115	4 1/2	Flat Face	44TD40F98	8 - 9/16"		7 - 1/2"	2	10	22
115	4 1/2	Convex	44TD40V98	8 - 9/16"		8 - 1/2"	2	10	22
120	4 3/4	Concave	46TD40C98	8 - 9/16"	4 - 1/2"	3 - 1/2"	2	10.9	24
120	4 3/4	Flat Face	46TD40F98	8 - 9/16"		7 - 1/2"	2	10.9	24
120	4 3/4	Convex	46TD40V98	8 - 9/16"		8 - 1/2"	2	10.9	24
124	4 7/8	Concave	47TD40C98	8 - 9/16"	4 - 1/2"	3 - 1/2"	2	11.4	25
127	5	Concave	50TD40C98	8 - 9/16"	4 - 1/2"	3 - 1/2"	2	11.8	26
127	5	Convex	50TD40V99	9 - 9/16"	5 - 1/2"	4 - 1/2"	3	11.8	26
130	5 1/8	Concave	51TD40C98	8 - 9/16"	4 - 1/2"	3 - 1/2"	2	12.3	27
133	5 1/4	Concave	52TD40C98	8 - 9/16"	4 - 1/2"	3 - 1/2"	2	12.7	28
Foot Valve			9110						





5. Drill String

Mincon Group offers a complete range of world class drill string components for the mining, quarrying, water well and ground engineering industries. We also offer related equipment such as drill collars, wrenches, fishing tools and sub adaptors to provide a full service concept.

With world class features that bring real value, Mincon tubular products are the choice of today's drilling professional. Unique features to the industry include:

Cold drawn seamless pipe

- Straighter drill pipes mean smoother drilling with less stress on the drill rig.
- Higher strength pipe allows for thinner wall thickness and less weight.
- Smooth inner bore prevents scale from entering tooling.

Case hardened threads:

- Case hardening ensures that Mincon pipe threads last at least 50% longer than industry standard threads.

Less weight:

- Less weight in your drill string allows for drilling deeper holes with existing pull back capacity or lower pull back capacity needs when investing for the same hole depth.

Energy efficient internal design:

- Mincon drill pipes are designed and manufactured to minimize and optimize energy consumption.
- Mincon utilize the DR threaded RC pipes which have among the lowest pressure drop in the industry.

Friction welded pipe:

- Friction welded pipe eliminates the need for shrink fitting ensuring less weight.
- 100% metal to metal joint with parent metal properties and low temperature process generates small HAZ (Heat Affected Zone) ensuring high strength with a low risk of failure.

Long life and low energy consumption:

- Combining all the features above means Drillers save money with less annual consumption and lower fuel costs.



APPLICATIONS

- EXPLORATION
- GEOTHERMAL
- WATER WELL
- FOUNDATION
- QUARRYING
- OPEN PIT MINING
- UNDERGROUND MINING





5.1 DTH Drill String

The DTH drill string can comprise many different components depending on the application. Below are the components that Mincon offer to complete your drill string. Mincon also offer multiple DTH drill string configurations to fit your drill rig.



Item	Component
1	Saver sub
2	Drill pipe
3	Guide rod
4	Guide sleeve
5	Cross over sub
6	Drill collar
7	Stabilizer
8	DTH Hammer
9	Drag bit
10	Tricone/Roller bit

5.2 Drill String Types

	Diameter (A)		Length (L)	
<p>Standard DTH Pipe</p>	38mm – 405mm	1.5" – 16"	500mm – 7620mm	1.6' – 25'
<p>Atlas Copco ROC</p>	70mm – 140mm	2.75" – 5.5"	2000mm – 6000mm	6.5' – 19.7'
<p>Atlas Copco Simba</p>	89mm	3.5"	1500mm – 3000mm	5' – 9.8'



	Diameter (A)		Length (L)	
<p>IR Pipe</p>	178mm – 194mm	7" – 7.64"	2438mm – 13716mm	8' – 45'
<p>IR T4/DM45</p>	89mm – 178mm	3.5" – 7"	6096mm – 10668mm	20' – 35'
<p>IR TH60/T3W</p>	89mm – 178mm	3.5" – 7"	6096mm	20'
<p>IR DM25</p>	89mm – 101mm	3.5" – 4"	6096mm – 13716mm	20' – 45'
<p>IR CM (695/760/780)</p>	76mm – 101mm	3" – 4"	6096mm – 10668mm	20' – 35'
<p>Cubex</p>	89mm – 178mm	3.5" – 7"	6096mm	20'



	Diameter (A)		Length (L)	
<p>Driltech Gator</p>	38mm – 405mm	1.5" – 16"	500mm – 7620mm	1.6' – 25'
<p>Driltech T25KW/D25/40</p>	70mm – 140mm	2.75" – 5.5"	2000mm – 6000mm	6.5' – 19.7'
<p>Sandvik BPI</p>	89mm	3.5"	3000mm	9.8'
<p>Schramm Carousel</p>	178mm – 194mm	7" – 7.64"	2438mm – 13716mm	8' – 45'
<p>Schramm T64</p>	178mm – 194mm	7" – 7.64"	6096mm – 10668mm	20' – 35'
<p>Schramm NT/WF</p>	89mm – 178mm	3.5" – 7"	6096mm	20'



5.3 Drill Pipe Technical Specifications

5.3.1 Tubing

Cold Drawn, seamless tube, grade N-80

- Yield Strength, min. 552 N/mm² (80,000psi)
- Tensile Strength, min. 689 N/mm² (100,000psi)
- Elongation, min 15%

5.3.2 Tool Joints

Micro alloy steel which is case hardened

- Surface hardness 58-62 HRC
- Case Depth 0.1 – 0.2 mm (0.040" – 0.080")
- Core Hardness 32-36 HRC
- The hardness of the thread gives a longer life time (at least 50% longer)



5.4 Get More Out of Your Drill Pipe

One very important part of the drill string drillers don't talk about is the wear sub. Changing your wear sub regularly will dramatically increase the life of your drill string.

Mincon use state of the art heat treatment and high quality alloy materials in the manufacture of our wear subs, ensuring the maximum life for your drill string.





6. Drilling Fluids

6.1 Mincon Envirosafe Rock Drill Oil

Mincon Envirosafe RDO is a high performance, environmentally safe rock drill oil. It is a unique lubricant developed for all sizes of DTH hammers, to reduce wear and improve performance. Mincon Envirosafe RDO can be used in all in-line lubricators and has proprietary lubricating compounds that are resistant to being washed off in acidic water, salt water, and foam environments, thus reducing rust on the internal and external parts of the hammer even after the equipment is not in use. It creates a lubricant film on the internal parts that prevents piston scuffing and heat build-up. Wear of internal hammer parts is reduced dramatically increasing the life of your hammer and rate of penetration which increases your profitability.

Mincon Envirosafe RDO reduces the potential of surface or groundwater environmental concerns during mining production, mineral exploration, horizontal directional drilling, quarrying, and water well drilling. It has a viscosity that allows the lubricant to flow freely to areas requiring lubrication and also removes the requirement to switch between heavy and light oil as the seasons change. Lubrication can be better controlled and consumption reduced when using Mincon Envirosafe RDO. Mincon Envirosafe RDO is an environmentally safe, biodegradable product that lubricates more efficiently than conventional Rock Drill Oils while reducing contamination of surface and groundwater. Particularly suited for drilling uncontaminated water wells and monitor wells in sensitive areas such as adjacent to streams and lakes, or where groundwater protection is important. Mincon RDO is available in 5 Gallon pails (18L), 55 Gallon drums (205L), 1000L and 1200L IBC Totes.

Specification

Viscosity @ 100°C	8.42 Cst.
Viscosity @ 40°C	46.0 Cst.
Specific Gravity @ 25°C	0.907
Pour Point	-36°C
VI	214
Flash Point	292°C
Heavy Metals	None
Active Ingredients	5 - 10 %
LC50	10,000 ppm+





6.2 Mincon Hole Control

Mincon Hole Control is a unique cost saving fluid formulated to speed up hole collaring, reduce collar sloughing and stabilize the bore hole. Hole control can be used with air-rotary tri-cone, down the hole hammers and all types of top hammer drills (surface and underground). Mincon Hole Control reduces re-drilling of a borehole, due to hole collapse or transference between adjacent bores through cracks and voids in the rock. It aids in eliminating regrinding of cuttings, thus creating bigger chips for sampling purposes and increasing penetration rates. Using Mincon Hole Control leaves a sticky, neatly stacked cuttings pile that is not prone to sloughing prior to loading the hole. It acts as a dust suppressant and reduces wind-blown fines. Hole Control allows blast holes to be fully loaded, helping to optimize blasting operations and creating a clean smooth floor. Mincon Hole Control speeds up borehole collaring, thereby increasing production.

The approximate mix ratio to achieve tank mix suitable for most drilling and borehole conditions is approximately 1-2 quart(s) of HOLE CONTROL to 250 US gallons of water (or 1-2 Liter(s) of HOLE CONTROL to 1000 Liters of water). Naturally acidic water sources will require more Hole Control additive to achieve the required viscosity.



6.3 Mincon Envirosafe Foamer ES

Mincon Envirosafe Foamer ES an environmentally acceptable foaming agent to be used in mineral exploration, oil and gas exploration and water well drilling operations. It has also been used as a drilling aid for monitoring wells. Mincon Envirosafe Foamer ES has an excellent half-life comparable to the leading foams on the market. It develops immediate tight foam (compact bubbles) with good lifting characteristics. Mincon Envirosafe Foamer ES can be enhanced by the addition of Mincon Hole Control to create significantly stiffer foam if required. The suggested dosage under normal drilling conditions is 0.5% – 1.0% by volume and 2.0% – 3.0% by volume when there is excessive water influx. Dosages will depend on chemical make-up of the drilling water, volume of water used, and the depth of the hole.





7. Service and Support

Mincon is committed to providing world class service and support to ensure our customers receive the full benefit from their Mincon products. Mincon continues to grow its global business substantially by ensuring that Mincon drilling tools consistently compete at the highest end of the market for performance, reliability and longevity. Mincon has strategically located sales and service centers staffed with high calibre employees with a strong knowledge of local market needs and requirements.

Mincon are very aware of the need to work closely with our customers to ensure their success. It is only through our customers' success that Mincon is successful and this is at the heart of Mincon's philosophy of making the customer the focal point of everything we do.

Today the major focus is towards significantly reducing the cost of operations. When Mincon engages with a new customer we focus our **A.I.M.** on their operations. We **Assess, Implement** and **Monitor**.

We **Assess** the current operations by performing a complete review of the drilling operations to understand their needs and take their unique circumstances into account. We evaluate their existing drill machines, analyze the environment (altitude, temperature, relative humidity) they operate in and study the current tooling wear patterns. Once completed together with the customer we decide on the best course of action.

With a plan in hand we **Implement**. We use Mincon Down the Hole (DTH) drilling products that have proven themselves all over the world with both large and small mining companies. We offer the appropriate training where needed and employ industry best practices to maximize productivity, tool life and ensure a safe working environment.

Once set up with our products performing at maximum efficiency we **Monitor** with world class service and support and ensure we are there for all our Customer's needs. We will periodically perform reviews of the drilling operations to make sure that they are still operating at maximum efficiency.

Mincon would like to extend an invitation to A.I.M. our focus on your operations and demonstrate the benefits of a strategic partnership with Mincon and together we can maximize your success.







Mincon Group plc
Smithstown Industrial Estate, Shannon,
Co. Clare, Ireland
Phone: +353 (61) 361 099
E-Mail: Sales@mincon.com
www.mincon.com